

VIBIA

# Vibia North 5670 LED Suspension

LA4387

SOURCE: <https://www.davidvillagelighting.co.uk/product/Vibia-North-5670-LED-Suspension/17280>

## PRODUCT DESCRIPTION

Designer: Arik Levy

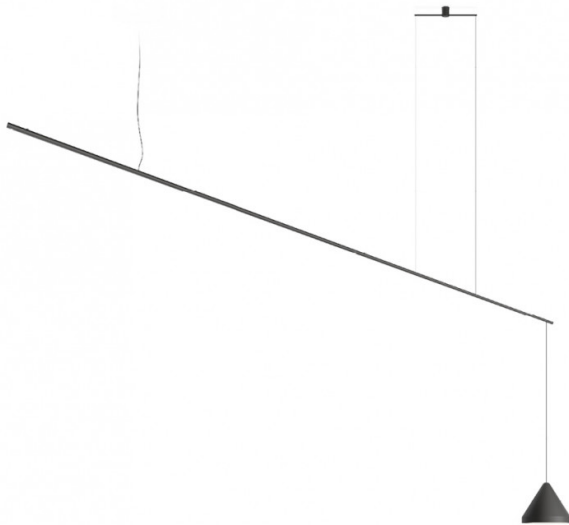
### Vibia North 5670 LED Suspension

The Vibia North 5670 LED Suspension was designed by Arik Levy and is composed of traditional conical shades which are suspended from a slim carbon fibre rod structure. The shade and rod are connected cable by an almost invisible cable, resulting in the light source appearing to float in mid-air. This contemporary suspension light utilises LED technology and provides an even illumination with a flexible character which can be focused where required.

The North 5670 Suspension can be used in both residential and commercial settings, perfect for kitchens, dining rooms, living spaces, offices, shops and hotels. Levy allows you to choose between four finishes (Black, White, Beige or Blue), meaning you can easily personalise the lighting solution and it can cater to a range of personal styles.

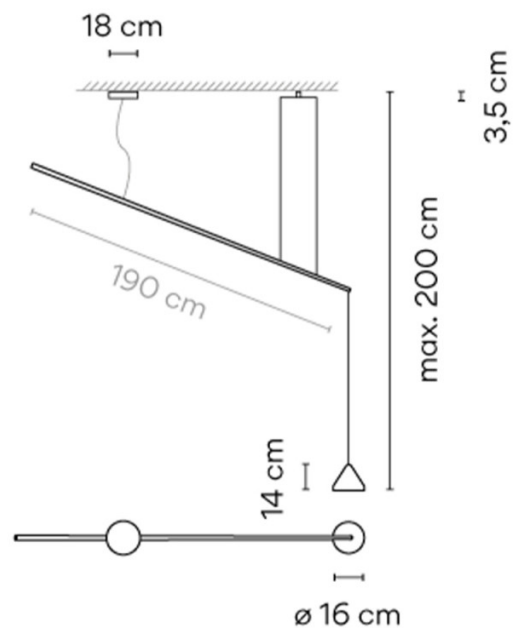
Driver included Constant Current 350mA. 110-240V. 50/60Hz.

DALI or Smart optional dimming upon request. [Contact us](#) for more information and pricing.



## PRODUCT SPECIFICATION

- Light Source:** 9W, 2700K, 1041 Lumens
- IP Code:** 20
- Dimming:** Dimmable via 1-10V dimming systems. Please consult your electrician, additional wiring may be required on site.
- Dimensions:** Shade Height: 14cm  
Maximum Height: 200cm  
Arm Length: 190cm





**For all sales and technical enquiries, please contact:**

+44 (0)114 263 4266

[info@davidvillagelighting.co.uk](mailto:info@davidvillagelighting.co.uk)

[www.davidvillagelighting.co.uk](http://www.davidvillagelighting.co.uk)