

innermost

# Innermost Core Pendant

LA4371

SOURCE: <https://www.davidvillagelighting.co.uk/product/Innermost-Core-Pendant/17264>



## PRODUCT DESCRIPTION

**Designer:** Steve Jones and Frankie Chan

### Innermost Core Pendant Light

The Core pendant, designed by Steve Jones and Frankie Chan, captures the organic beauty of molten glass. Each piece, hand-blown in the Czech Republic, reflects artisanal quality and precision. The pendant's thick-walled glass structure gives it a timeless presence, creating a soft, inviting atmosphere when illuminated. Available in Clear or Smoke finishes, the Core pendant adds understated elegance to any room.

With its flexible design, the Core pendant can be paired with a range of E27 or E26 bulbs, including retro-style filament or frosted globe options, enhancing its versatility. The choice of white braided cables for the Clear finish and black braided cables for the Smoke finish ensures a cohesive aesthetic. Whether used individually as a focal point or arranged in clusters for dramatic effect, the Core pendant light provides a modern yet refined lighting solution for homes, offices, and commercial spaces alike.

## PRODUCT SPECIFICATION

**Light Source:** 1x Max 60W E27 (Excluded)

**IP Code:** 20

**Dimming:** Dimmable via mains phase dimming.

**Dimensions:** 15

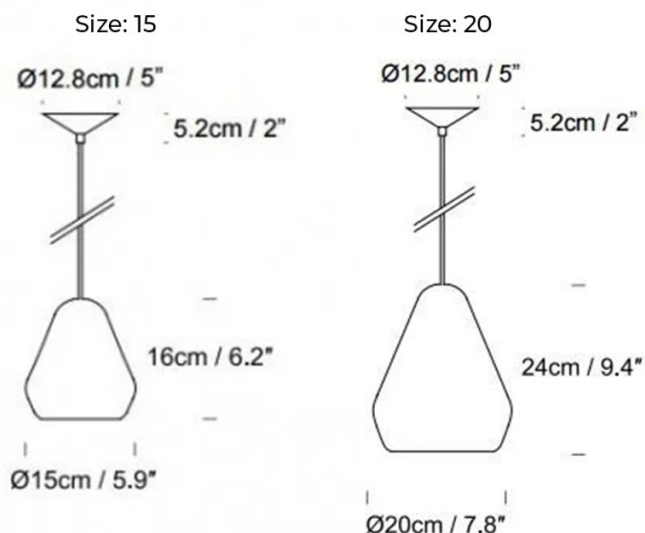
Height: 16cm  
Diameter: 15cm

20

Height: 24cm  
Diameter: 20cm

Ceiling canopy: 12.8cm

Cable length: 4m





**For all sales and technical enquiries, please contact:**

+44 (0)114 263 4266

[info@davidvillagelighting.co.uk](mailto:info@davidvillagelighting.co.uk)

[www.davidvillagelighting.co.uk](http://www.davidvillagelighting.co.uk)