

**MUUTO**

**Muuto Compile Bookend**

LA4349

SOURCE: <https://www.davidvillagelighting.co.uk/product/Muuto-Compile-Bookend/17205>

**PRODUCT DESCRIPTION**

**Designer:** Cecilie Manz

**Compile Bookend by Muuto**

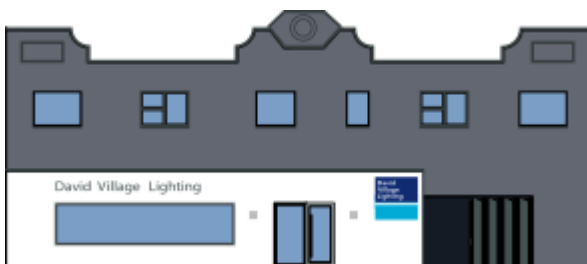
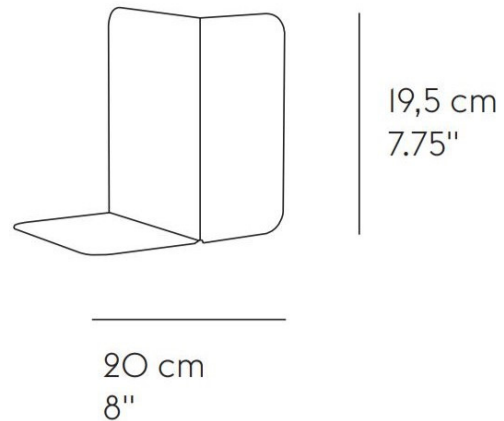
The Compile Bookend designed by Cecilie Manz for Muuto is a flexible bookend that can be placed in different ways to support various sized books or magazines. Manz has established herself as one of Denmark's most prominent designers and her work is sold and exhibited all over the world.

The Compile bookends serve not only a functional purpose but also as a sculptural decorative element, adding colour and personality to a shelving system, windowsill or coffee table. With a clean and geometric shape, the Compile Bookends are suitable for all environments, be it in a living space, office, or reception.



**PRODUCT SPECIFICATION**

**Dimensions:** Height: 19.5cm  
Width: 15cm  
Depth: 20cm



**For all sales and technical enquiries, please contact:**

+44 (0)114 263 4266

[info@davidvillagelighting.co.uk](mailto:info@davidvillagelighting.co.uk)

[www.davidvillagelighting.co.uk](http://www.davidvillagelighting.co.uk)