



Moooi Set Up Shades Floor Lamp

LA4271

SOURCE: <https://www.davidvillagelighting.co.uk/product/Moooi-Set-Up-Shades-Floor-Lamp/17093>



PRODUCT DESCRIPTION

Designer: Marcel Wanders

Set Up Shades by Moooi

Where complexity and simplicity meet, the Set Up Shades were created. Designed by one of Moooi's co-founders, Marcel Wanders, the floor lamps are a true example of his creativity. By exploring the limits of type and form, Wanders took an archetypal shape - the conical shade - and simply stacked it on top of each other. The entire construction is a solid, unified piece and is available in three models: with 5, 6 or 7 shades.

The Set Up Shades are non dimmable and can be switched on and off by an inline switch on the cable. Equipped with an integrated LED source the lamps are energy efficient and emit a warm ambience in every direction. The floor lamps are suitable for residential use, commercial projects or in hospitality.

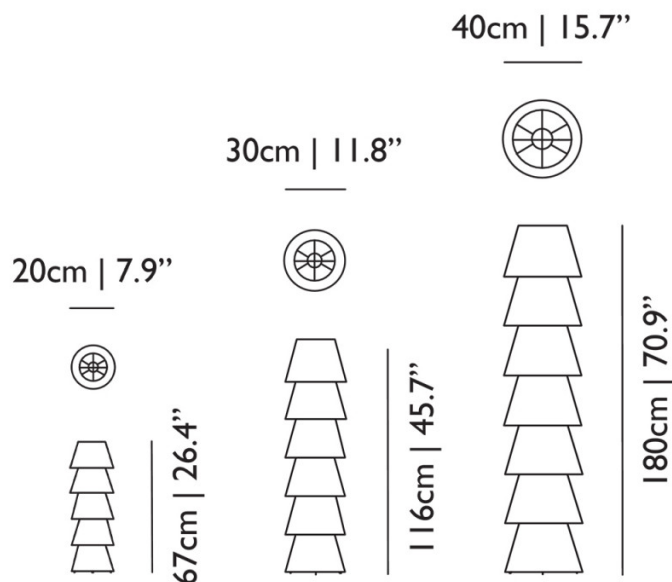
PRODUCT SPECIFICATION

Light Source: Set Up Shades 5 - 1 x Max 40W E14 (excluded)
 Set Up Shades 6 - 1 x Max 60W E27 (excluded)
 Set Up Shades 7 - 1 x Max 60W E27 (excluded)

IP Code: 20

Dimming: In line on/off switch included on cable.

Dimensions: Set Up Shades 5 - Ø20cm, Height: 67cm
 Set Up Shades 6 - Ø30cm, Height: 116cm
 Set Up Shades 7 - Ø40cm, Height: 180cm



For all sales and technical enquiries, please contact:

+44 (0)114 263 4266

info@davidvillagelighting.co.uk

www.davidvillagelighting.co.uk