

Artemide

Artemide Tolomeo LED Table Lamp with Motion Sensor

LA4265

SOURCE: <https://www.davidvillagelighting.co.uk/product/Artemide-Tolomeo-LED-Table-Lamp-with-Motion-Sensor/17086>



PRODUCT DESCRIPTION

Designer: Michele De Lucchi & Giancarlo Fassina

Tolomeo LED Table with Motion Sensor by Artemide

One of the most innovative and technology-driven lights from the [Artemide Tolomeo collection](#), the Tolomeo LED motion sensor table lamp was designed by Michele de Lucchi and Giancarlo Fassina. Like many from the collection, this table lamp has a flexible arm which has modern spring technology to make it easy to move and place. The lampshade is also movable allowing you to have a directed, precise light flow.

The Tolomeo motion sensor table light has an LED light source integrated to have optimum light efficiency and consumption. It also has a motion sensor in the lamp so it will turn on when you enter the room. If no movement is detected the light switches off after 12 minutes. Perfect for use at desks, side tables and tables, this table light can be used in offices, lounges, reception areas and more to use as both an ambient light or reading/task light. Choose between 2 sizes, mini or standard, to find the right fit for you.

PRODUCT SPECIFICATION

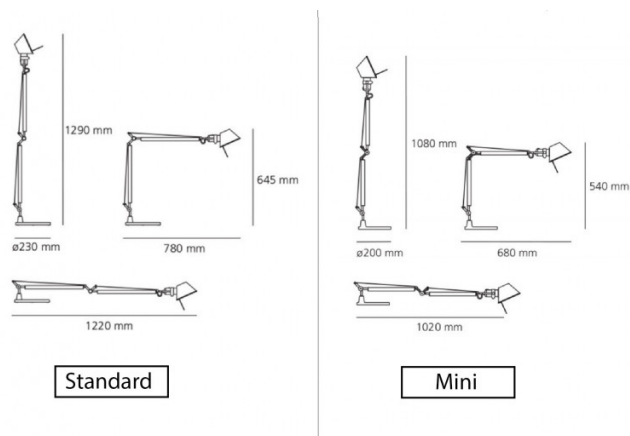
Light Source: 10W, 3000K, 593 Lumens

IP Code: 20

Dimming: Integrated dimmer on the product.

Dimensions: Standard
Height: 64.5-129cm
Depth: 78-122cm
Base: Ø23cm

Mini
Height: 54-108cm
Depth: 54-102cm
Base: Ø20cm



For all sales and technical enquiries, please contact:

+44 (0)114 263 4266

info@davidvillagelighting.co.uk

www.davidvillagelighting.co.uk