

Artemide

# Artemide Meteorite Table Stem Lamp

LA4260

SOURCE: <https://www.davidvillagelighting.co.uk/product/Artemide-Meteorite-Table-Stem-Lamp/17079>



## PRODUCT DESCRIPTION

Designer: Pio & Tito Toso

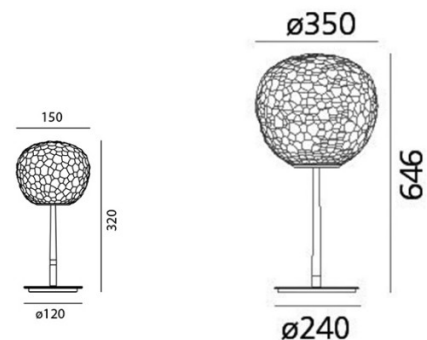
### Meteorite Table Stem by Artemide

The Meteorite light collection was created using a new technique developed by designers, Pio and Tito Toso for Artemide. The brothers and architects took the traditional mouth-blown glass tradition a step further with Venetian beaten glass and a new grinding process. The result is a glass diffuser with an unfinished, raw texture. The final stage includes frosting the diffuser and placing it onto an aluminium stem and base.

Meteorite light emit a soft and diffused light with an impressive lighting depth. The design was awarded the 2015 Red Dot Award. Other lights in the family include [suspension](#), [ceiling/wall](#) and a [low table](#) version light.

## PRODUCT SPECIFICATION

- Light** Meteorite 15 - 4W LED E14 (excluded)
- Source:** Meteorite 35 - 21W LED DIM E27 (excluded)
- IP Code:** 20
- Dimming:** In line dimmer included on cable.
- Dimensions:** Meteorite 15 - 32cm H, Ø12 cm base, Ø15cm diffuser  
 Meteorite 35 - 64.6cm H, Ø24 cm base, Ø35cm diffuser



For all sales and technical enquiries, please contact:

+44 (0)114 263 4266

[info@davidvillagelighting.co.uk](mailto:info@davidvillagelighting.co.uk)

[www.davidvillagelighting.co.uk](http://www.davidvillagelighting.co.uk)