

Artemide

Artemide Equilibrist LED Table Lamp

LA4256

SOURCE: <https://www.davidvillagelighting.co.uk/product/Artemide-Equilibrist-LED-Table-Lamp/17075>



PRODUCT DESCRIPTION

Designer: Jean Nouvel

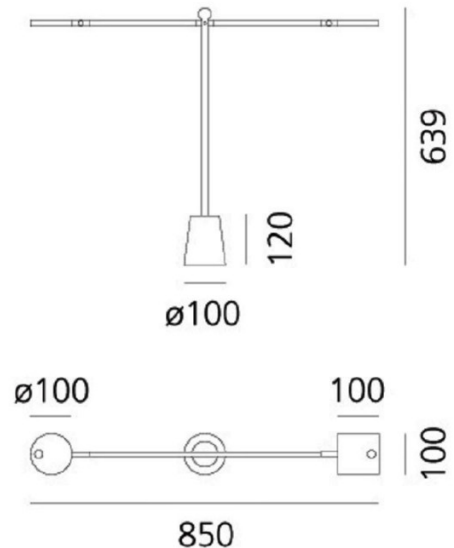
Equilibrist by Artemide

Resembling a seesaw, the Equilibrist balances two separate lamps on each side, one square and one round. Each lamp is looking for the perfect balance, an equilibrium. Both heads can rotate and revolve independently, echoing a modern, high-tech semaphore or traffic light. The Equilibrist lamp was designed by French architect, Jean Nouvel, whose designs correspond not to the needs but to the bare nature of light, and what it can become. The design earned Nouvel the 2015 Wallpaper Design award.

You can dim each segment of the lamp separately, with an integrated dimmer at the top of each head. The two lights emit a slightly different light, one more ambient and the other, more powerful can function as a task light. The lamp is available in black finish, with an aluminium and zamak structure.

PRODUCT SPECIFICATION

- Light Source:** 12W, 3000K, 240 lumens (round head) + 380 lumens (square head)
- IP Code:** 20
- Dimming:** Integrated dimmer included on product. Separate for Round and Square head.
- Dimensions:** 63.9 cm height
85 cm length
10 cm width
10 cm square head
Ø 11 cm round head



For all sales and technical enquiries, please contact:

+44 (0)114 263 4266

info@davidvillagelighting.co.uk

www.davidvillagelighting.co.uk