

Artemide

Artemide Demetra Table LED with Movement Detector

LA4255

SOURCE: <https://www.davidvillagelighting.co.uk/product/Artemide-Demetra-Table-LED-with-Movement-Detector/17074>

PRODUCT DESCRIPTION

Designer: Naoto Fukasawa

Artemide Demetra Table Lamp LED with Movement Detector

One of Artemide's classics, if not a reminiscent of the Tolomeo lights, the Demetra lights were designed by Japanese industrial designer, Naoto Fukasawa. Fukasawa bases his design on the 'Outline' concept, which focuses on the harmony between an object and its user.

The Demetra Table Lamp, although one of the standard lights in the collection, is available with an integrated motion sensor. The desk lamp automatically detects movement and after 12 minutes of inactivity it will automatically switch off. This feature is in addition to the standard integrated microswitch dimmer. Located on top of the head/diffuser, the switch lets you control light intensity. As well as a sleek design, the Demetra lights offer a wide range of movement and flexibility; with an adjustable head and arm you can provide direct light depending on the use and task at hand.

The family includes a wide range of lights, floor and desk lamps, wall lights and spotlights. The interactive feature of a motion sensor is available for the table lamp and the wall light, while the dimmer switch is present in most Demetra lights. The wall and table lights are also available in a Micro size, for an even more compact light. The designer introduced a series of task lights to the collection, the [Demetra Professional](#).



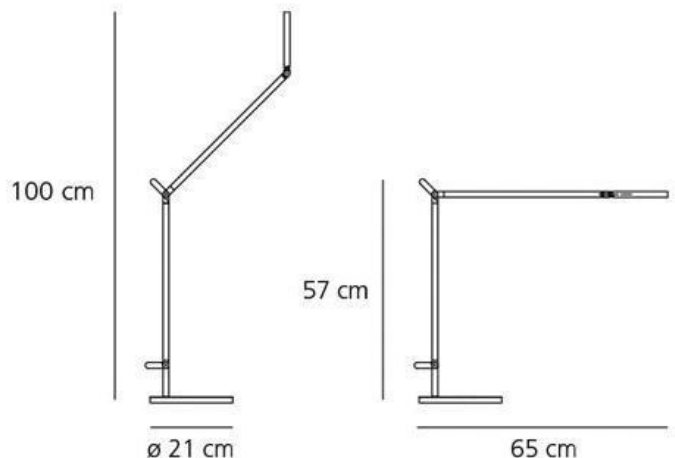
PRODUCT SPECIFICATION

Light Source: 8W, 3000K, 385 lumens

IP Code: 20

Dimming: Integrated microswitch dimmer on the product.

Dimensions: 20 cm base
57 - 84 cm height
63 - 96.5 cm depth





For all sales and technical enquiries, please contact:

+44 (0)114 263 4266

info@davidvillagelighting.co.uk

www.davidvillagelighting.co.uk