

VIBIA

Vibia Flamingo 1510 LED Pendant

LA4222

SOURCE: <https://www.davidvillagelighting.co.uk/product/Vibia-Flamingo-1510-LED-Pendant/17036>



PRODUCT DESCRIPTION

Designer: Antoni Arola

Vibia Flamingo 1510 LED Pendant Light

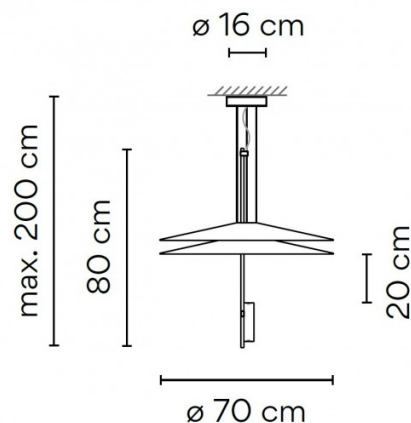
Designed for Vibia by Antoni Arola, the Flamingo 1510 pendant is part of the award-winning [Vibia Flamingo collection](#). Inspired by the elegant and delicate nature of the flamingo, this pendant light features a slimline metal fitting and two opal-coloured lampshades that look refined and beautiful.

The Flamingo 1510 pendant lamp comes with different coloured fittings which holds the integrated LED light source. The LEDs sit in the top and the bottom, with the top light reflecting off the shades and the bottom light acting as a direct spotlight. Versatile and eye-catching, the Flamingo can be used above tables and surfaces, as well as a main light for many different types of settings.

The Flamingo 1510 is also available with different colour temperatures, cable lengths and dimming options. Please [contact us](#) for more information and prices.

PRODUCT SPECIFICATION

Light Source:	2 x 5.6W, 2700K, 1389 Lumens
IP Code:	20
Dimming:	Dimmable via 1-10v/push to make dimming systems. Please consult your electrician, additional wiring may be required on site.
Dimensions:	Shade: Ø70cm Height: 80cm Ceiling Canopy: Ø16cm Maximum Drop: 200cm





For all sales and technical enquiries, please contact:

+44 (0)114 263 4266

info@davidvillagelighting.co.uk

www.davidvillagelighting.co.uk