

VIBIA

Vibia I.Cono 0720 Wall Light

LA4213

SOURCE: <https://www.davidvillagelighting.co.uk/product/Vibia-ICono-0720-Wall-Light/17025>



PRODUCT DESCRIPTION

Designer: Lievore, Altherr, Molina

Vibia I.Cono 0720 Wall Light

The I.Cono wall light is part of the [Vibia I.Cono collection](#), designed by Lievore, Altherr, Molina. The wall lamp features a slimline, conical lampshade which is simple and elegant. This is supported by a sturdy metal wall base which also has an on/off switch for ease of use.

The I.Cono wall lamp is available in a subtle white, beige or black-grey colour finish, meaning you can use it in virtually any space. The lampshade of this wall light is also movable, allowing you to direct the light where needed. Perfect for use as a bedside lamp, in lounges, corridors, stairwells and more, the I.Cono 0720 wall lamp is a sleek and stylish choice for any interior.

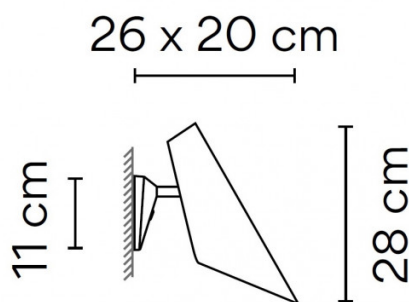
PRODUCT SPECIFICATION

Light Source: 1 x Max 7W E14 LED (excluded)

IP Code: 20

Dimming: Integrated on/off switch on the product.

Dimensions: Shade: 26cm x 20cm
Height: 28cm
Wall Base: Ø11cm



For all sales and technical enquiries, please contact:

+44 (0)114 263 4266

info@davidvillagelighting.co.uk

www.davidvillagelighting.co.uk