

VIBIA

Vibia I.Cono 0712 Floor Lamp

LA4212

SOURCE: <https://www.davidvillagelighting.co.uk/product/Vibia-ICono-0712-Floor-Lamp/17024>



PRODUCT DESCRIPTION

Designer: Lievore, Altherr, Molina

Vibia I.Cono 0712 Floor Lamp

Designed by Lievore, Altherr, Molina, the I.Cono floor lamp is an elegant and refined piece that features an angled stem and conical lampshade. The floor light is made from metal, having a sturdy base and stem which holds a sleek polycarbonate shade that is movable, so you can direct the light flow where needed.

Providing an effective and efficient illumination, the I.Cono floor light is available in five subtle colours, beige, white, blue, black grey or terra red, so you can find the right look and finish for your space. The floor lamp is designed to be useful as a reading light, looking wonderful in lounges, reading nooks and reception areas with a stylish aesthetic and helpful glow. You can also match the I.Cono 0712 floor with others from the [Vibia I.Cono collection](#) for a consistent lighting scheme in your interior.

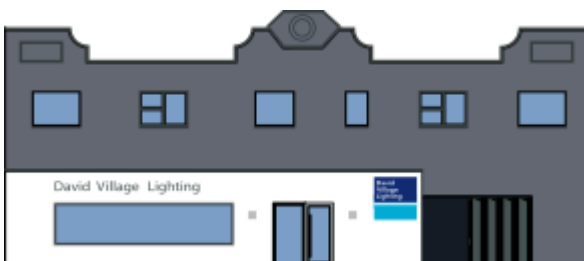
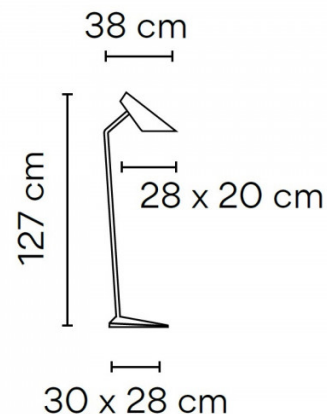
PRODUCT SPECIFICATION

Light Source: 1 x Max 7W E14 LED (excluded)

IP Code: 20

Dimming: In-line on/off switch included on cable.

Dimensions: Shade: 28cm x 20cm
Depth: 38cm
Height: 127cm
Base: 30cm x 28cm
Cable Length: 150cm



For all sales and technical enquiries, please contact:

+44 (0)114 263 4266

info@davidvillagelighting.co.uk

www.davidvillagelighting.co.uk