

DCW éditions Mantis BS2 Wall Light

LA4053

SOURCE: <https://www.davidvillagelighting.co.uk/product/DCW-ditions-Mantis-BS2-Wall-Light/16831>



PRODUCT DESCRIPTION

Designer: Bernard Schottlander

Mantis BS2 Wall Light by DCW éditions

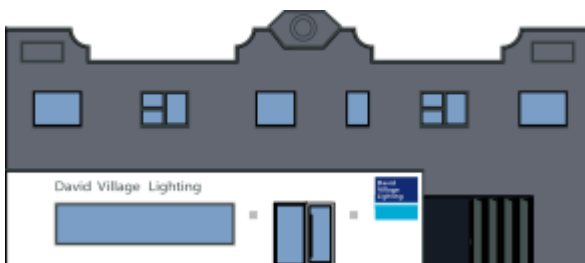
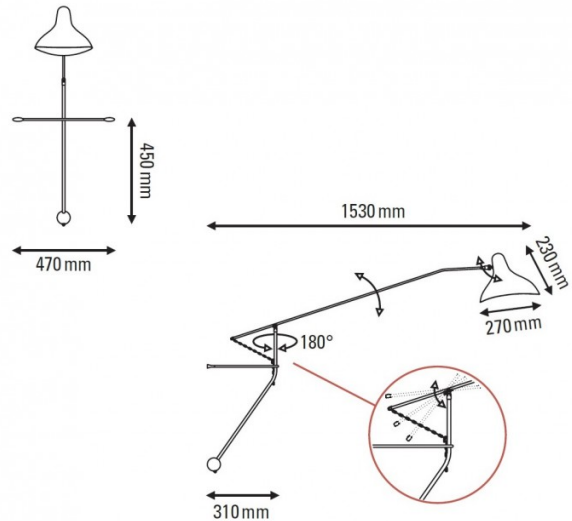
Designed by Bernard Schottlander in 1951, the Mantis BS2 wall light is part of the [DCW éditions Mantis collection](#), a range which is named after the fascinating creature because of its unique silhouette. The wall light was created with functionality in mind, as the stem can be lowered and raised by the chain, the stem can be moved 180° and the shade can be adjusted.

Available in a black satin colour finish, the Mantis BS2 wall lamp can be used in homes, work spaces and commercial settings, to provide a useful and atmospheric glow. Whether you want it for a handy reading light or to cast a warm illumination in your lounge, this wall lamp will not let you down.

The Mantis BS2 comes with a cable and plug so needs to be installed near a socket.

PRODUCT SPECIFICATION

- Light Source:** 1 x max 15W E14 LED (excluded)
- IP Code:** 20
- Dimming:** Integrated on/off switch on the product
- Dimensions:** Ø27cm shade
153cm depth from wall
47cm width
200cm cable length



For all sales and technical enquiries, please contact:

+44 (0)114 263 4266

info@davidvillagelighting.co.uk

www.davidvillagelighting.co.uk