

VIBIA

Vibia Mayfair LED Table Lamp

LA4027

SOURCE: <https://www.davidvillagelighting.co.uk/product/Vibia-Mayfair-LED-Table-Lamp/16802>



PRODUCT DESCRIPTION

Designer: Diego Fortunato

Vibia Mayfair LED Table Lamp

Designed by Diego Fortunato, the Mayfair table light takes direct inspiration from an iconic eighteenth-century lamp known as the Bouillotte lamp. The lamp was created to accompany the card game of the same name, made up of candlesticks which are covered by a metal shade that has a highly reflective interior. This allowed the candlelight to illuminate outwards, allowing players to easily see their hands and gameplay.

Fortunato updates the aesthetic of this lamp with the Mayfair, which features a rounded lampshade held gracefully by a simple metal stem. Emitting a warm and ambient glow, the Mayfair table lamp comes with a range of shade colour options. The methacrylate shades are translucent whereas the metal shades are opaque. A stunning reinterpretation, this table light can be used in a multitude of settings and comes with a dimmer on the shade to create the exact atmosphere you want.

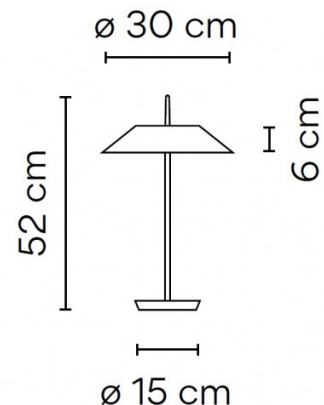
PRODUCT SPECIFICATION

Light Source: 12.6W + 2.4W, 2700K, 1841 Lumens

IP Code: 20

Dimming: Integrated dimmer on the product.

Dimensions: Shade: Ø30cm
Shade Height: 6cm
Height: 52cm
Base: Ø15cm
Cable Length: 200cm





For all sales and technical enquiries, please contact:

+44 (0)114 263 4266

info@davidvillagelighting.co.uk

www.davidvillagelighting.co.uk