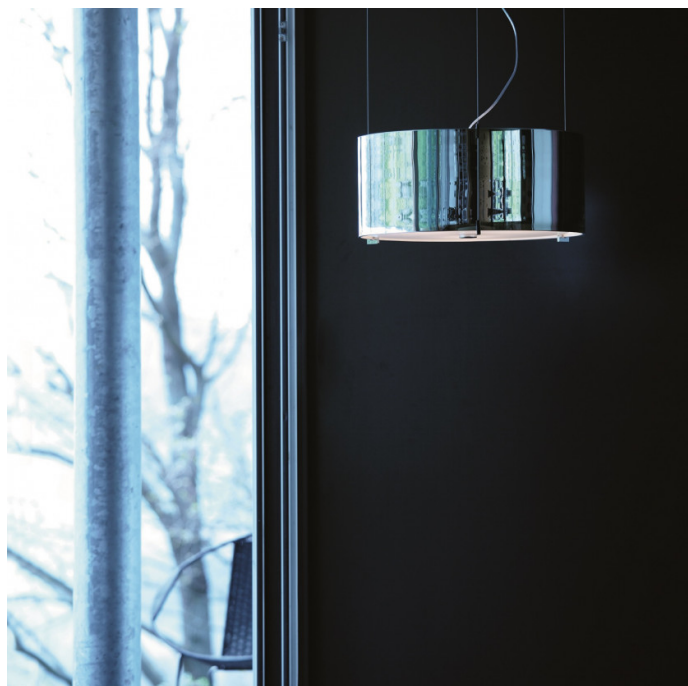


Prandina CPL S7 Pendant

LA3906

SOURCE: <https://www.davidvillagelighting.co.uk/product/Prandina-CPL-S7-Pendant/16667>



PRODUCT DESCRIPTION

Designer: Christian Ploderer

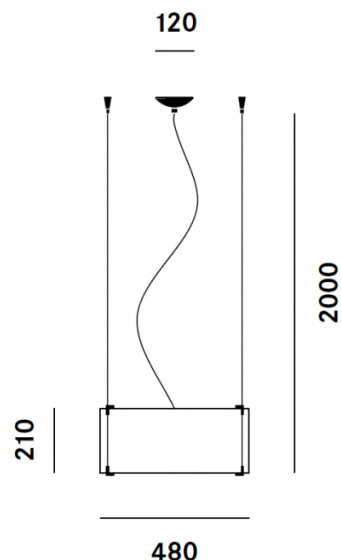
CPL S7 Pendant Light by Prandina

A part of the [Prandina CPL collection](#), the CPL S7 pendant was designed by Christian Ploderer in 1998. The S7 pendant has a similar aesthetic to the [CPL S1 pendant](#), having a cylindrical shape and smooth, rounded lines on a wider scale. The shade is made from blown glass and is held by a metal structure which is available with either a chrome or brushed nickel finish. The pendant is available in 4 colours, so you can find the right finish for your interior.

The CPL S7 pendant light is wonderful for a multitude of settings, perfect for both home and work spaces. The pendant light has two discs at the top and bottom of the shade which diffuse the light source, to create a warm, soft glow. This creates a lovely ambience and illuminates the whole room well. You can buy one to have as a feature light or buy several in different colours to create a nice varied cluster or row.

PRODUCT SPECIFICATION

- Light Source:** 3 x IAA/F E27 100W max (excluded)
- IP Code:** 20
- Dimming:** Dimmable via mains phase dimming
- Dimensions:**
 - Ø48cm shade
 - 21cm shade height
 - Ø12cm ceiling rose
 - 200cm cable length



For all sales and technical enquiries, please contact:

+44 (0)114 263 4266

info@davidvillagelighting.co.uk

www.davidvillagelighting.co.uk