



Light Attack Lorna LED Wall Light

LA3500

SOURCE: <https://www.davidvillagelighting.co.uk/product/Light-Attack-Lorna-LED-Wall-Light/15932>

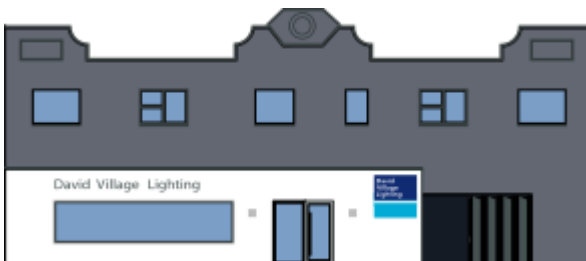
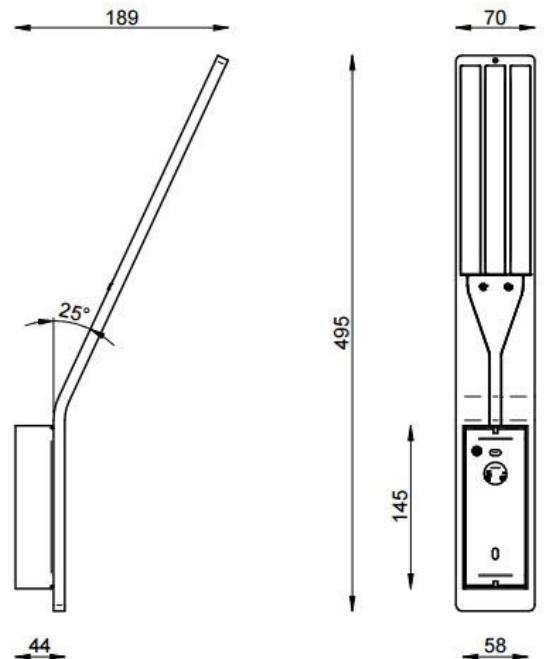


PRODUCT DESCRIPTION

Light Attack Lorna Wall Light. With high precision technology in a 10mm module. Formed of opaline polycarbonate diffuser with a press folded aluminium plate.

PRODUCT SPECIFICATION

- Light Source:** 22W, 3000K, 2538lumens
- Dimming:** Non dimmable
- Dimensions:** 49.5 cm Length
7 cm Width
19 cm Depth from wall



For all sales and technical enquiries, please contact:

+44 (0)114 263 4266

info@davidvillagelighting.co.uk

www.davidvillagelighting.co.uk