



# Zero Elements Large Table Lamp

LA3421

SOURCE: <https://www.davidvillagelighting.co.uk/product/Zero-Elements-Large-Table-Lamp/15851>



## PRODUCT DESCRIPTION

**Designer:** Note Design Studio

Zero Elements Large Table Lamp. Note Design Studio's fascination for the Nordic mountains and its light. Dawn, dusk, midnight sun. Glittering lakes, wilderness and flora. Elements simple shapes direct the light and well-balanced materials give the design elasticity and great usability; these textile fixtures are available in blue and white color as standard. other colors on request.

For further details on custom colours please [contact us](#) .

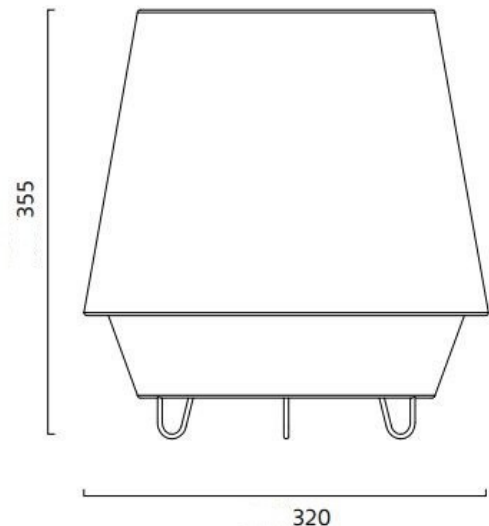
## PRODUCT SPECIFICATION

**Light Source:** 1 x 42W E27 (excluded)

**IP Code:** 20

**Dimming:** In line on/off switch included on product.

**Dimensions:** Width of shade: 32 cm  
Length of shade: 35.5 cm  
Cable length: 2.5 Meters



**For all sales and technical enquiries, please contact:**

+44 (0)114 263 4266

[info@davidvillagelighting.co.uk](mailto:info@davidvillagelighting.co.uk)

[www.davidvillagelighting.co.uk](http://www.davidvillagelighting.co.uk)