



Bega 77090 In ground - Large

LA3391

SOURCE: <https://www.davidvillagelighting.co.uk/product/Bega-77090-In-ground---Large/15841>



PRODUCT DESCRIPTION

Bega 77090 in-ground luminaire, large.

LED surface-mounted luminaire with four-sided light sectors for installation on a foundation, an anchorage unit or a connection housing (both excluded - please contact us for price: 01142634266). Integral driver included.

Drive-over luminaire for vehicles with pneumatic tyres. For pressure load up to 1,000 kg. At the glass surface the luminaire attains an operating temperature of 30 °C.

Please note:

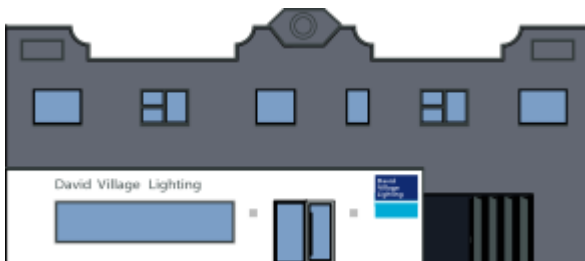
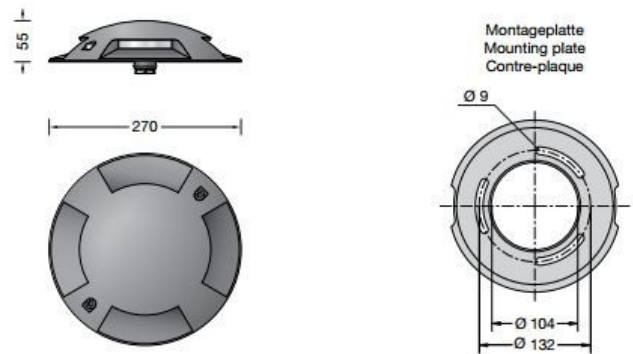
Luminaire must not be used for installation in road lanes, where the fixture is exposed to a horizontal strain due to braking, acceleration and change of direction.

Luminaire made of aluminium alloy and stainless steel. Borosilicate glass, silicone gasket. Mounting plate made of stainless steel.

PRODUCT SPECIFICATION

Light Source: 15W, 3000K, 206 Lumens

IP Code: 67



For all sales and technical enquiries, please contact:

+44 (0)114 263 4266

info@davidvillagelighting.co.uk

www.davidvillagelighting.co.uk