



Orsjo Belysning PJ70 Wall Light

LA3281

SOURCE: <https://www.davidvillagelighting.co.uk/product/Orsjo-Belysning-PJ70-Wall-Light/15715>

PRODUCT DESCRIPTION

Designer: Box Arkitekter

Orsjo Belysning PJ70 Wall Lamp.

The PJ70 Wall Lamp is a functional and adjustable wall light, used for both home, office and public spaces. It consists of two arms, guaranteeing extensive movement and making it a perfect task light. Ann Morsing and Beban Nord at Box Arkitekter were inspired by the work of PeFeGe Eriksson when developing the PJ collection, they have updated the classic 1940's industrial lamp to meet modern day needs. The PJ70 is still as practical and elegant as the original work lamps were over 60 years ago, but now with the enhancements of modern day technology.

The flexible arm moves effortlessly, making it easy to angle the shade and brighten a particular area, this grants you the ability to create a direct light source and makes it a perfect task light. Due to its mounting option, the PJ70 also has the benefit of saving space, making it perfect for those smaller workspaces or home offices where you lack desk space.

The PJ70 is available with a 250cm black cord, plug and wall attachment, or is suitable to be hard wired.

The purpose of these task lights is to create a comforting direct light that is perfect for workspaces without being too clinical or harsh. And this is why the PJ collection soon became an office classic. [Explore the PJ collection today.](#)



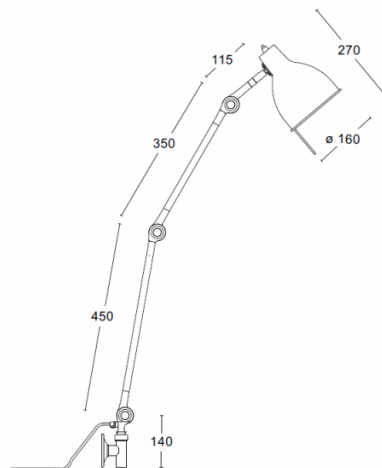
PRODUCT SPECIFICATION

Light Source: 1 x Max 7.5W E27 LED (excluded)

IP Code: 20

Dimming: Integrated on/off switch on the product.

Dimensions: Lower Arm: 45cm
Upper Arm: 35cm
Base Height: 14cm
Shade: Ø160cm
Shade Height: 27cm
Cable Length: 250cm





For all sales and technical enquiries, please contact:

+44 (0)114 263 4266

info@davidvillagelighting.co.uk

www.davidvillagelighting.co.uk