

ANGLEPOISE®

# Anglepoise Original 1227 Lamp With Wall Bracket

LA3170

SOURCE: <https://www.davidvillagelighting.co.uk/product/Anglepoise-Original-1227-Lamp-With-Wall-Bracket/15594>



## PRODUCT DESCRIPTION

Designer: George Carwardine

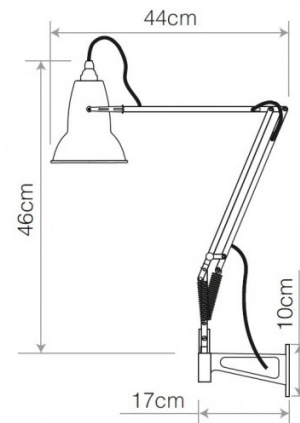
### Anglepoise Original 1227 Lamp with Wall Bracket

A part of the [Original 1227 collection](#), this wall lamp gives you the benefits of the renowned [Original 1227 desk lamp](#) in a wall mounted form, to give you a fully adjustable and directional light, perfect for both commercial and home settings. Making use of designer George Carwardine's famous 3-spring mechanism, this wall light is well-balanced and stylish as the light can be moved into any position you want, whether you want to create a calm corner or a spotlight over your desk.

Available in jet black, dove grey, white linen and chrome, this wall-mounted light is universal and will easily slip into any design scheme to provide a stand-out finish to your room.

## PRODUCT SPECIFICATION

- Light Source:** 1 x Max 6W E27 LED (included)
- IP Code:** 20
- Dimming:** In-line on/off switch included on cable.
- Dimensions:** Shade: Ø14cm  
Shade Height: 16cm  
Height: 46cm  
Wall Bracket Depth: 17cm  
Cable Length: 200cm



For all sales and technical enquiries, please contact:

+44 (0)114 263 4266

info@davidvillagelighting.co.uk

www.davidvillagelighting.co.uk