

ANGLEPOISE®

Anglepoise Original 1227 Brass Lamp with Wall Bracket

LA3160

SOURCE: <https://www.davidvillagelighting.co.uk/product/Anglepoise-Original-1227-Brass-Lamp-with-Wall-Bracket/15589>



PRODUCT DESCRIPTION

Designer: George Carwardine

Anglepoise Original 1227 Brass Lamp with Wall Bracket

The [Original 1227 Brass Lamp](#) is now even more versatile with this wall-mounted version. A part of the [Original 1227 collection by Anglepoise](#), this lamp is a revamped version of the iconic [Anglepoise desk lamp](#) design which was first launched in 1935.

Now fitted with gorgeous brass details and a woven fabric cable the 1227 Brass wall mounted lamp adds a touch of sophistication and elegance to the room. With the useful Anglepoise spring technology, this light is completely directional by using the lightest touch to set it in place. Suitable for both home and work spaces, this light is perfect as a spotlight to create a cosy corner or as an overhead reading light. Available in two colours, match with other Original 1227 Brass lights such as the [Original 1227 Brass Pendant](#) and the [Original 1227 Brass Desk Lamp](#) to have a harmonised design scheme.

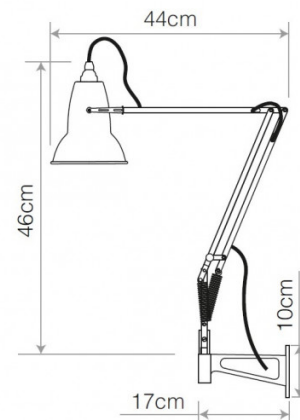
PRODUCT SPECIFICATION

Light Source: 1 x Max 6W E27 LED (included)

IP Code: 20

Dimming: In-line on/off switch included on cable.

Dimensions: Shade: Ø14cm
Shade Height: 16cm
Wall Bracket Depth: 17cm
Height: 46cm





For all sales and technical enquiries, please contact:

+44 (0)114 263 4266

info@davidvillagelighting.co.uk

www.davidvillagelighting.co.uk