

prandina
LIGHTING STORIES

Prandina Gong W1 LED Wall Light

LA3147

SOURCE: <https://www.davidvillagelighting.co.uk/product/Prandina-Gong-W1-LED-Wall-Light/15575>



PRODUCT DESCRIPTION

Designer: Sergio Prandina

Gong W1 LED Wall Light by Prandina

An LED alternative to Prandina's [Gong W1](#) wall lamp.

Sergio Prandina was inspired by the shape of traditional Chinese lanterns to create the Gong collection, a series of pendants, table lamps, and in this case a wall lamp whose two-part design highlights the many ways in which glass can be transformed and embellished. A crystal clear lower section is contrasted with an upper section which is decorated using advanced painting, mirroring, and metallizing techniques to emphasise both the purity and the versatility of glass.

The relaxing atmosphere created by Gong's [integrated LED](#) light source is perfect for bedrooms, hallways, and seating areas in homes, hotels, and restaurants alike. For more solutions, see the rest of the Gong collection, including the [standard](#) and [Mini](#) pendants and [table lamp](#).

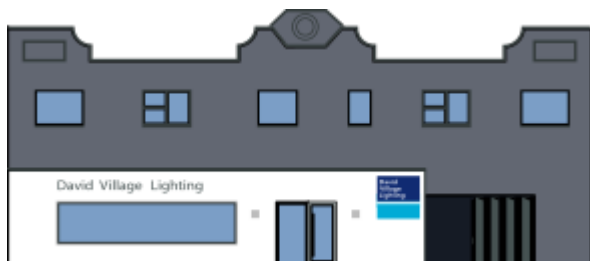
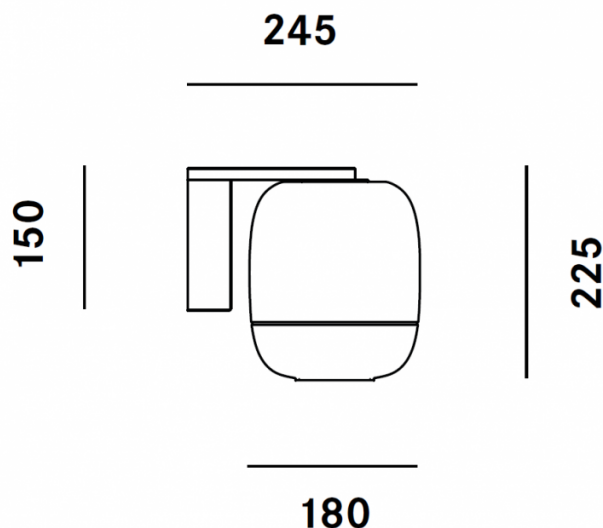
PRODUCT SPECIFICATION

Light Source: 4W, 3000K, 720 lumens

IP Code: 20

Dimming: Dimmable via mains phase dimming

Dimensions: Ø18cm shade
22.5cm shade height
15cm wall bracket height
24.5cm depth from wall



For all sales and technical enquiries, please contact:

+44 (0)114 263 4266

info@davidvillagelighting.co.uk

www.davidvillagelighting.co.uk