

marset

**Marset Santorini Outdoor
Ceiling**

LA3076

SOURCE: <https://www.davidvillagelighting.co.uk/product/Marset-Santorini-Outdoor-Ceiling/15492>

PRODUCT DESCRIPTION

Designer: Sputnik Estudio

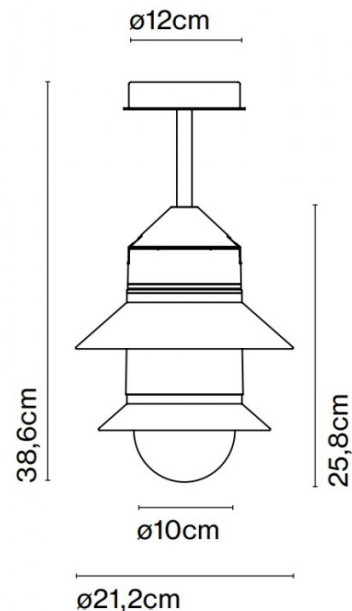
Marset Santorini Ceiling Light

Inspired by the lanterns found on fishing boats, this collection of outdoor customizable lamps allows you to create multiple compositions. Users can choose how many shades to place on the diffuser, along with their order, position and direction. This interplay of combinations yields a rich array of direct or reflected light. Available in grey, mustard and white and secured to the ceiling with a black metal wall mount, this ceiling light will add a striking feature to any space.



PRODUCT SPECIFICATION

- Light Source:** 1 x Max 8W E27 LED (excluded)
- IP Code:** 65
- Dimming:** Dimmable via mains phase dimming.
- Dimensions:** Diffuser: Ø10cm
Shade: Ø21.2cm
Shade Length: 25.8cm
Total Length: 38.6cm



For all sales and technical enquiries, please contact:

+44 (0)114 263 4266

info@davidvillagelighting.co.uk

www.davidvillagelighting.co.uk