

**marset**

**Marset Ginger XXL 60 LED  
Floor Lamp**

LA3069

SOURCE: <https://www.davidvillagelighting.co.uk/product/Marset-Ginger-XXL-60-LED-Floor-Lamp/15485>

**PRODUCT DESCRIPTION**

Designer: Joan Gaspar

**Marset Ginger XXL 60 LED Floor  
Lamp**

The Ginger XXL 60 Floor Lamp designed by Joan Gaspar in 2014 for Marset features an extraordinarily lightweight light disk which pays tribute to the drums of Ginger Baker of Cream, the 1960's rock band. The iconic disk is created from layers of wood and paper shaped under high pressure achieving a shade thickness of just 4mm, with a white interior to reflect the light and a high-quality wood finish on the outside.

The Marset Ginger Floor Lamp is also available in a [smaller size \(XL 42\)](#) and in an [upright version \(P\)](#).

Marset and Gaspar liked the challenge that working with wood provided - a material that is typically hard to mold, a challenge that the Ginger collection neatly resolves. The [Ginger Collection](#) has been expanded over time to provide solutions to different lighting needs and is now available in pendant, table, wall, and floor lamp versions.



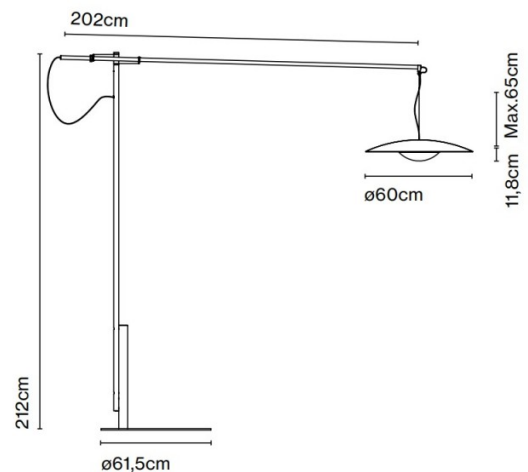
**PRODUCT SPECIFICATION**

**Light Source:** 18.8W, 2700K, 1165 Lumens

**IP Code:** 20

**Dimming:** In line dimmer included on the cable.

**Dimensions:** Shade: Ø60cm  
Base: Ø61.5cm  
Height: 212cm  
Cable Length: 250cm





**For all sales and technical enquiries, please contact:**

+44 (0)114 263 4266

[info@davidvillagelighting.co.uk](mailto:info@davidvillagelighting.co.uk)

[www.davidvillagelighting.co.uk](http://www.davidvillagelighting.co.uk)