

marset

Marset Ginger XL 42 LED Floor Lamp

LA3068

SOURCE: <https://www.davidvillagelighting.co.uk/product/Marset-Ginger-XL-42-LED-Floor-Lamp/15484>

PRODUCT DESCRIPTION

Designer: Joan Gaspar

Marset Ginger XL 42 LED Floor Lamp

The Ginger XL 42 Floor Lamp designed by Joan Gaspar in 2014 for Marset features an extraordinarily lightweight light disk which pays tribute to the drums of Ginger Baker of Cream, the 1960's rock band. The iconic disk is created from layers of wood and paper shaped under high pressure achieving a shade thickness of just 4mm, with a white interior to reflect the light and a high-quality wood finish on the outside.

The Marset Ginger Floor Lamp is also available in a [larger size \(XXL 60\)](#) and in an [upright version \(P\)](#).

Marset and Gaspar liked the challenge that working with wood provided - a material that is typically hard to mold, a challenge that the Ginger collection neatly resolves. The [Ginger Collection](#) has been expanded over time to provide solutions to different lighting needs and is now available in pendant, table, wall, and floor lamp versions.



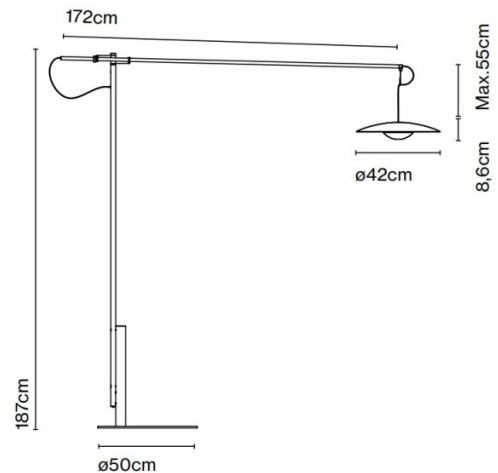
PRODUCT SPECIFICATION

Light Source: 13W, 2700K, 698 Lumens

IP Code: 20

Dimming: In line dimmer included on the cable.

Dimensions: Shade: Ø42cm
 Base: Ø50cm
 Height: 187cm
 Cable Length: 250cm





For all sales and technical enquiries, please contact:

+44 (0)114 263 4266

info@davidvillagelighting.co.uk

www.davidvillagelighting.co.uk