



Santa & Cole GT1000/GT1500 LED Suspension

SOURCE: <https://www.davidvillagelighting.co.uk/product/Santa-Cole-GT1000GT1500-LED-Suspension/15207>



PRODUCT DESCRIPTION

Designer: Santa & Cole Team

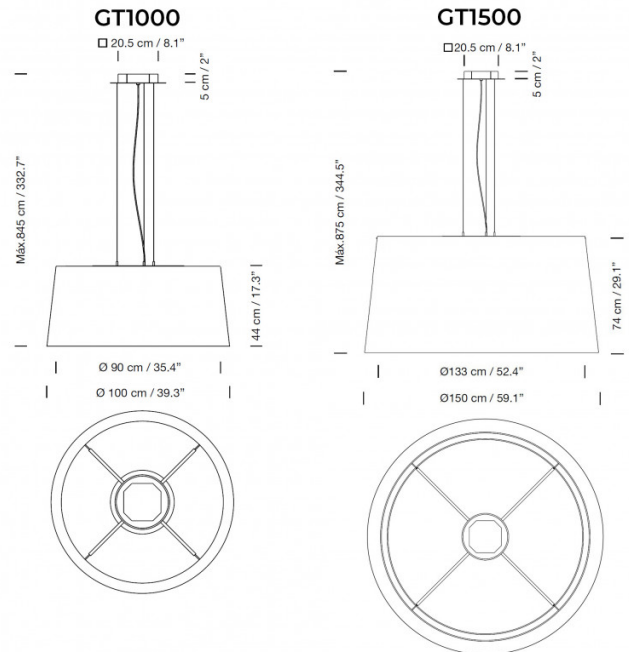
Santa & Cole GT1000/GT1500 LED Suspension

Since 1994, Santa & Cole has been experimenting with and creating lampshades using handmade cotton ribbons, going against using typical materials such as plastic, solid textiles or cardboard. The design first created the [GT5 pendant](#) and then expanded this into larger sizes including the GT1000 and GT1500.

With an integrated LED light, both the GT1000 and GT1500 suspension lights have a translucent disc which acts to diffuse and soften the glow for a wonderful general glow. The large size of the pendant lamps makes them perfect for use as main lighting in both private and public settings and the ribbon shades in six colours add a soft and comforting touch. Available in a natural, red amber, terracotta, mustard, black or green colour finish.

PRODUCT SPECIFICATION

- Light Source:** 78W, 2700K, 6340 Lumens
- IP Code:** 20
- Dimming:** Dimmable via 1-10V dimming systems. Please consult your electrician, additional wiring may be required on site.
- Dimensions: GT1000:**
 - Shade: Ø100cm
 - Shade Height: 44cm
 - Ceiling Canopy: Ø20.5cm x 5cm
 - Max Drop: 84.5cm
- GT1500:**
 - Shade: Ø150cm
 - Shade Height: 74cm
 - Ceiling Canopy: Ø20.5cm x 5cm
 - Max Drop: 84.5cm



For all sales and technical enquiries, please contact:
 +44 (0)114 263 4266
info@davidvillagelighting.co.uk
www.davidvillagelighting.co.uk