

# Fabbian Fabbian Oru Pendant

LA7871

SOURCE: <https://www.davidvillagelighting.co.uk/product/Fabbian-Oru-Pendant/15188>



## PRODUCT DESCRIPTION

Designer: Vim & Vigor

### Fabbian Oru Pendant Light

The Fabbian Oru Pendant draws inspiration from origami and is a tribute to the art of metal bending. Designed by Vim and Vigor, this pendant boasts an asymmetrical shade that is crafted from sheet metal wrapped together to form a dome. The studio decided it would be interesting to combine the cutting/folding technique of origami with a traditional spun metal shape, the outer layer of the shade is painted in a sleek black finish whereas the inside of the shade is available in three bold colours: Teal Blue, Red or Green.

The Oru Pendant is a playful contemporary lighting solution that can be used in various settings, it can be a fun touch to kitchens, dining spaces, private offices and communal workspaces. It can also be used in an array of commercial interiors such as shopping centres, offices, hotels, gyms, restaurants and bars.

## PRODUCT SPECIFICATION

**Light Source:** 1 x Max 22W E27 LED (excluded)

**IP Code:** 20

**Dimming:** Dimmable via Triac dimming.

**Dimensions: Small:**

Ø37.5cm

Shade Height: 43.2cm

**Large:**

Ø56cm

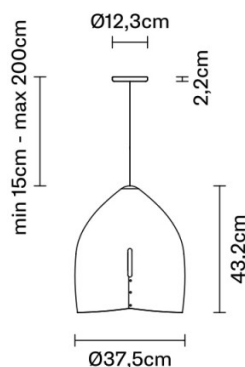
Shade Height: 31.8cm

Minimum Drop Height: 15cm

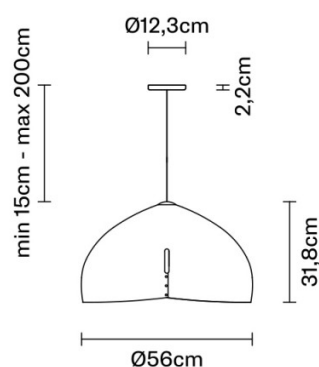
Maximum Drop Height: 200cm

Ceiling Canopy: Ø12.3cm

Small:



Large:



For all sales and technical enquiries, please contact:

+44 (0)114 263 4266

[info@davidvillagelighting.co.uk](mailto:info@davidvillagelighting.co.uk)

[www.davidvillagelighting.co.uk](http://www.davidvillagelighting.co.uk)