



Santa & Cole Basica M2 Table Lamp

LA6337/M2

SOURCE: <https://www.davidvillagelighting.co.uk/product/Santa-Cole-Basica-M2-Table-Lamp/15140>



PRODUCT DESCRIPTION

Designer: Santiago Roqueta

Santa & Cole Basica M2 Table Lamp

During the 1980s, one of the big trends in the design world were lights featuring metallic tubular structures with halogen lamps. Santiago Roqueta, in collaboration with Santa & Cole's design team, opposed that style with the Basica lamp. They revived the more natural, wooden material that brought a warmer alternative to the European market and today, more than 30 years later, the lamp is as relevant as ever.

The Santa & Cole Basica M2 lamp has a wooden column body, that is balanced by the heavier metallic base available in nickel or bronze finish. The lamp is complete with the M2 lampshade (40 x 20 cm) which is available in a stitched beige parchment finish. A wider base, by choosing the optional disc in a matching metallic colour, is also available for a sturdier look. The Basica collection also includes the [Basica M1](#), which features the M1 shade (25 x 20 cm) available in several colour options paired with either a nickel or bronze metal base, and the [Basica Minima](#), the smallest lamp in the collection.

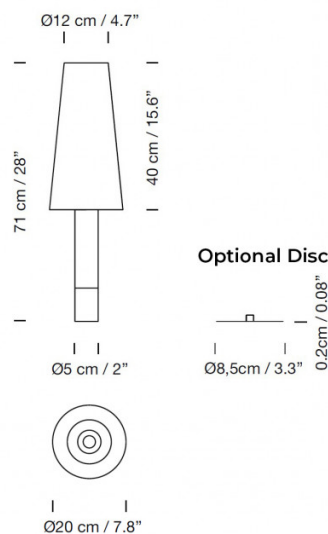
PRODUCT SPECIFICATION

Light Source: 1 x Max 12W LED E27 (included)

IP Code: 20

Dimming: In-line on/off switch on the cable.

Dimensions: Shade: Ø20cm
Shade Height: 40cm
Total Height: 71cm
Base without Disk: Ø5cm
Base with Disk: Ø8.5cm
Cable Length: 225cm





For all sales and technical enquiries, please contact:

+44 (0)114 263 4266

info@davidvillagelighting.co.uk

www.davidvillagelighting.co.uk