

# Innermost Bubble Pendant

LA7835

SOURCE: <https://www.davidvillagelighting.co.uk/product/Innermost-Bubble-Pendant/15122>



## PRODUCT DESCRIPTION

**Designer:** Steve Jones

### Innermost Bubble Pendant Light

The Innermost Bubble pendant, designed by Co-founder Steve Jones, takes inspiration from the bold shapes of fashion jewellery. Reminiscent of a string of polished stainless steel balls, this spotlight pendant brings a playful yet refined aesthetic to modern interiors. The design's origins stem from a simple earring concept, reimagined to create a functional lighting fixture that exudes sophistication and style. The Bubble pendant is available in a variety of finishes, including chrome, copper, black, white, and a unique black-and-copper combination, making it adaptable to various décor styles.

Bubble is perfect for creating unique lighting arrangements, whether in staggered rows, clusters, or as individual downlights. With its 4m braided cable and matching hemisphere ceiling rose, this pendant offers flexibility in placement and height. Designed to use standard GU10 LED spotlight bulbs, Bubble offers choice in both colour temperature and beam angle, allowing for a truly customisable lighting experience. Its versatile design is ideal for accenting both commercial and residential interiors, providing a striking yet functional lighting solution.

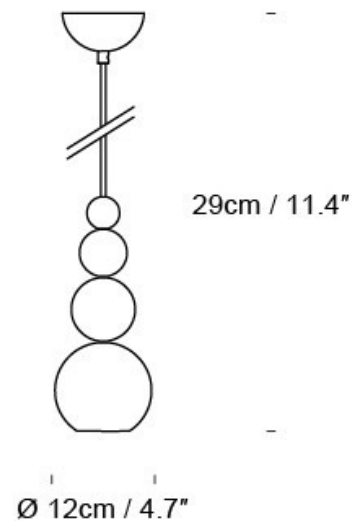
## PRODUCT SPECIFICATION

**Light Source:** 1 x Max 25W GU10 (excluded)

**IP Code:** 20

**Dimming:** Dimmable via mains phase dimming.

**Dimensions:** Height: 29cm  
Diameter: 12cm  
Cable length: 4m





**For all sales and technical enquiries, please contact:**

+44 (0)114 263 4266

[info@davidvillagelighting.co.uk](mailto:info@davidvillagelighting.co.uk)

[www.davidvillagelighting.co.uk](http://www.davidvillagelighting.co.uk)