

FLOS

# Flos OK LED Suspension Light

LA7460

SOURCE: <https://www.davidvillagelighting.co.uk/product/Flos-OK-LED-Suspension-Light/14680>



## PRODUCT DESCRIPTION

**Designer:** Konstantin Grcic

### OK Light by Flos

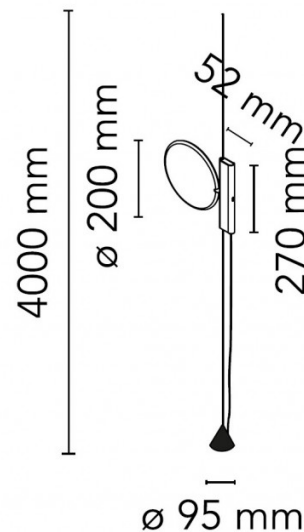
Described as “a sun hanging from a wire”, the OK suspension light from designer Konstantin Grcic is an updated version of Achille Castiglioni’s iconic [Parentesi lamp](#), telling a story about the evolution of design. The original light bulb which accompanied the Parentesi lamp has been updated as an ultra-flat LED light source with edge-lighting technology, directable over 360 degrees. The LED light is also dimmable, with a handy dimmer switch with soft-touch technology included on the product.

The multi functional OK light comprises of a flat LED disk which can be moved vertically up and down the tensioned steel cable with a rotatable disk LED light. This makes the OK pendant lamp perfect for adjustable illumination for task orientated rooms. Paying homage to his predecessor, the only identical feature of the Parentesi which remains in the OK design is the small ceiling rose, designed by Castiglioni, which is a beautifully shaped piece of spun metal that houses the electronic components and a soft-touch switch.

The OK LED suspension lamp comes complete with a cable with plug connector for wall or floor socket and emits a direct light.

## PRODUCT SPECIFICATION

- Light Source:** 18W, 2700K, 1550 lumens
- IP Code:** 20
- Dimming:** Integrated dimmer on the product
- Dimensions:** Ø20cm diffuser  
Ø9.5cm base  
400cm max. drop





**For all sales and technical enquiries, please contact:**

+44 (0)114 263 4266

[info@davidvillagelighting.co.uk](mailto:info@davidvillagelighting.co.uk)

[www.davidvillagelighting.co.uk](http://www.davidvillagelighting.co.uk)