

FLOS

Flos IC T2 Table Lamp

LA7456

SOURCE: <https://www.davidvillagelighting.co.uk/product/Flos-IC-T2-Table-Lamp/14677>



PRODUCT DESCRIPTION

Designer: Michael Anastassiades

IC T2 Table Lamp by Flos

The IC T2 table light is part of the [Flos IC collection](#) and is the smallest of three table lamps in the range. Designed by Michael Anastassiades, the IC T2 table lamp consists of a blown opal glass glossy diffuser which provides soft diffused light. The opal glass sphere sits upon a metal rod structure, being a classic and chic design which will suit many settings.

The T2 table lamp is available in 4 colour finishes, brass, black or chrome, and has a dimmer switch on the cable so you can control the light setting. The table light can be used on tables, desks, shelves and more to provide both a reading light and an ambient light. Suitable for homes and professional spaces, create a sophisticated look that is timeless and stylish.

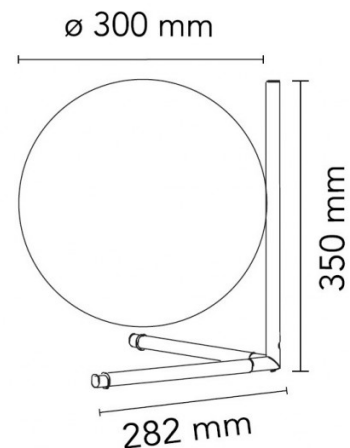
PRODUCT SPECIFICATION

Light Source: 1 x max 18W LED E27 T38 (excluded)

IP Code: 20

Dimming: In line dimmer included on cable

Dimensions: Ø30cm shade
35cm height
28.2cm width



For all sales and technical enquiries, please contact:

+44 (0)114 263 4266

info@davidvillagelighting.co.uk

www.davidvillagelighting.co.uk