

FLOS

Flos IC Pendant

LA7452

SOURCE: <https://www.davidvillagelighting.co.uk/product/Flos-IC-Pendant/14673>



PRODUCT DESCRIPTION

Designer: Michael Anastassiades

IC Pendant Light by Flos

The Flos IC suspension light comes in three sizes, the smaller S1, the S2 and a larger S3. The collection explores balance and shapes as each light has a blown glass sphere which sits 'balanced' upon a metal rod. Simple yet effective, the Flos IC lights provide a soft, diffused glow due to its opal glossy glass sphere and are dimmable via mains phase dimming.

The iconic and revered [IC collection](#) was designed by Michael Anastassiades in 2014 for Flos and consists of floor lamps, wall lights, table lamps and suspension lights available in either brass, black or chrome.

PRODUCT SPECIFICATION

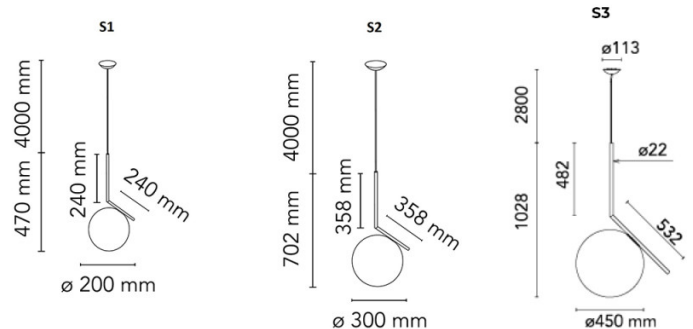
**Light Source:** S1: 1 x Max 9W E14 LED T28 (excluded)  
S2: 1 x Max 18W E27 LED T38 (excluded)  
S3: 1 Max 25W E27 LED (included)

**IP Code:** 20

**Dimming:** Dimmable via mains phase dimming.

**Dimensions:** S1: Ø20cm, Height: 47cm  
S2: Ø30cm, Height: 70.2cm  
S3: Ø45cm, Height: 102.8cm

Cable Length: 400cm



For all sales and technical enquiries, please contact:

+44 (0)114 263 4266

info@davidvillagelighting.co.uk

www.davidvillagelighting.co.uk