

FLOS

Flos IC Ceiling / Wall Light

LA7448

SOURCE: <https://www.davidvillagelighting.co.uk/product/Flos-IC-Ceiling-Wall-Light/14669>



PRODUCT DESCRIPTION

Designer: Michael Anastassiades

IC Ceiling and Wall Light by Flos

We currently have limited stock of this item in our [Clearance section](#).

The smaller C/W1 and the larger C/W2 are the two ceiling/wall lights available in the [Flos IC lights collection](#). Both sizes are available in a choice of four finishes, brass, black, or chrome and are suitable for either ceiling or wall mounting.

The Flos IC wall and ceiling light was designed by Michael Anastassiades and plays with the idea of shape and balance. The wall/ceiling lamp is made from a glossy glass sphere which appears to balance on a metal rod, providing a soft and diffused light. The Flos IC ceiling/wall lamp has a discrete and perhaps even subtle design but when lit, it becomes the center of attention. Perfect for many settings, use in both the home and professional interiors to create a warming and inviting glow.

PRODUCT SPECIFICATION

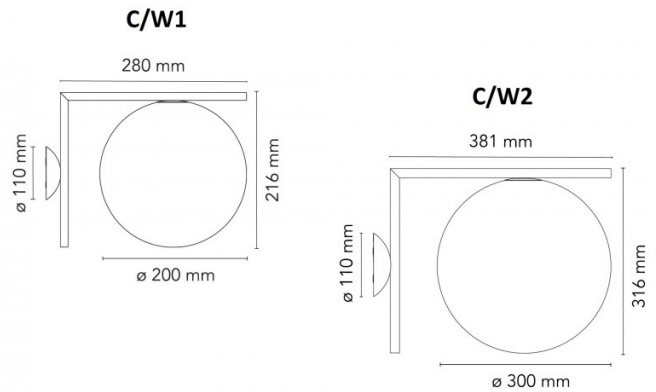
Light Source: **C/W1** - 1 x Max 9W E14 LED T28 (excluded)
C/W2 - 1 x Max 18W E27 LED T38 (excluded)

IP Code: 20

Dimming: Dimmable via mains phase dimming

Dimensions: **C/W1:**
Ø20cm shade
21.6cm height
28cm depth
Ø11cm base

C/W2:
Ø30cm shade
31.6cm height
38.1cm depth
Ø11cm base





For all sales and technical enquiries, please contact:

+44 (0)114 263 4266

info@davidvillagelighting.co.uk

www.davidvillagelighting.co.uk