

Artemide

LA7350/MICRO

Artemide Pirce Micro LED Wall Light

SOURCE: <https://www.davidvillagelighting.co.uk/product/Artemide-Pirce-Micro-LED-Wall-Light/14559>



PRODUCT DESCRIPTION

Designer: Giuseppe Maurizio Scutella

Pirce Ceiling Wall Micro Light (LED) by Artemide

This sculptural and contemporary design by Giuseppe Maurizio Scutellà for Artemide, this is the micro wall version of Pirce light, an extension to the existing Pirce range. When illuminated, light is cast upwards to give an indirect glow - emphasising the white halo above and travelling through its centre for an atmospheric spectacle. Its distinct composition creates a magical effect with the lamp itself placed in the horizontal dish.

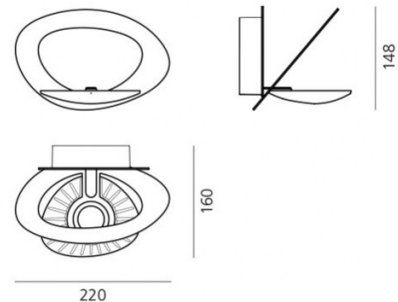
The sculptural, irregular laser cut discs of the Pirce Wall Light give a brilliant display of upward, indirect light, finished in painted aluminium.

The LED version of Artemide's Pirce Wall light contains an integrated LED light source. This version of the Pirce light is available in either a white or gold finish. For the white finish, you can chose from 2700k (warmest white light) or 3000k (warm white light). Pirce provides upward and indirect light.

The Pirce Wall light is also available in a standard non-LED version. Mini and Micro. See the rest of Artemide's [Pirce Collection](#).

PRODUCT SPECIFICATION

- Light Source:** 27W, 2700K or 3000K, 2586 or 2768 lumens
- IP Code:** 20
- Dimming:** Push to make/ switch dimming, dimmable using push to make switches. Please consult your electrician, additional wiring may be required on site.
- Dimensions:** 22 cm width
16 cm depth
14.8 cm height





For all sales and technical enquiries, please contact:

+44 (0)114 263 4266

info@davidvillagelighting.co.uk

www.davidvillagelighting.co.uk