

Secto
DESIGN

Secto Atto 5000 LED Pendant Light

LA7205

SOURCE: <https://www.davidvillagelighting.co.uk/product/Secto-Atto-5000-LED-Pendant-Light/14407>



PRODUCT DESCRIPTION

Designer: Seppo Koho

Secto Atto 5000 LED Pendant Light

The Secto Atto 5000 LED Pendant Light is a compact yet sophisticated luminaire that embodies the best of Scandinavian design. Its elegant slatted structure, crafted from sustainably sourced birch, casts a warm and even light, creating a relaxing atmosphere in any setting.

Incorporating the latest LED technology, the Atto 5000 ensures energy efficiency and longevity, delivering a powerful yet ambient glow at 3000K. Available in four stunning finishes, natural birch, black laminated, white laminated, or walnut veneer, the Atto 5000 complements a variety of interiors. Its compact size and striking design make it perfect for dining tables, living rooms, and commercial spaces like boutique restaurants and hotels.

The Atto 5000 comes with a 180cm textile cable and a matching ceiling cup for seamless installation. Pair it with other [Secto](#) designs to create a cohesive lighting scheme or let it shine as a standalone feature.

PRODUCT SPECIFICATION

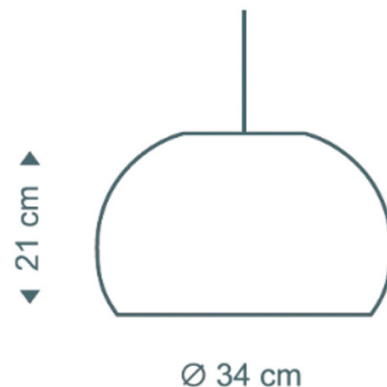
Light Source: 13W, 3000K, 1200 Lumens

IP Code: 20

Dimming: Dimmable via trailing edge dimming systems.

Dimensions: Height: 21cm
Shade: Ø34cm

Cable length: 180cm





For all sales and technical enquiries, please contact:

+44 (0)114 263 4266

info@davidvillagelighting.co.uk

www.davidvillagelighting.co.uk