

Secto
DESIGN

Secto Kontro 6000 Pendant Light

LA7201

SOURCE: <https://www.davidvillagelighting.co.uk/product/Secto-Kontro-6000-Pendant-Light/14403>

PRODUCT DESCRIPTION

Designer: Seppo Koho

Secto Kontro 6000 Pendant Light

The Secto Kontro 6000 Pendant Light redefines the traditional chandelier, offering a sleek and contemporary alternative. With its open, airy design, the Kontro 6000 diffuses light both upwards and downwards, creating a warm and gentle ambiance perfect for dining rooms, living spaces, and other social areas. This luminaire's elegant lines and wooden craftsmanship make it a standout piece in any setting.

Handcrafted in Finland by skilled artisans, the Kontro 6000 is made from sustainably sourced Finnish birch, exemplifying Secto Design's commitment to eco-friendly manufacturing. Available in natural birch, black or white lamination, and walnut veneer, the Kontro 6000 seamlessly blends with both modern and traditional interiors.

Whether hung individually or in clusters, this pendant light makes a sophisticated statement. With its patented Dezell ceiling suspension system and adjustable cable length, installation is effortless and adaptable. Pair the Kontro 6000 with other [Secto](#) designs for a cohesive lighting scheme.

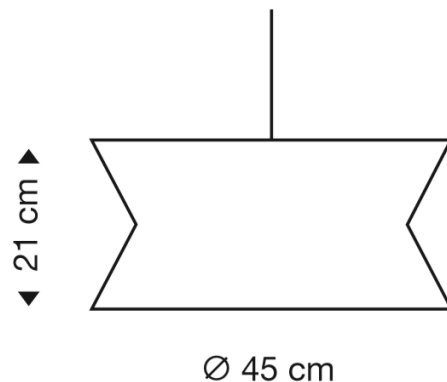
PRODUCT SPECIFICATION

Light Source: 1 x Max 9W E27 LED (Included)

IP Code: 20

Dimming: Dimmable via mains phase dimming.

Dimensions: Height: 21cm
Width: 45cm
Cable length: 150cm





For all sales and technical enquiries, please contact:

+44 (0)114 263 4266

info@davidvillagelighting.co.uk

www.davidvillagelighting.co.uk