

Artemide

Artemide Demetra Wall Light LED

LA7091

SOURCE: <https://www.davidvillagelighting.co.uk/product/Artemide-Demetra-Wall-Light-LED/14267>

PRODUCT DESCRIPTION

Designer: Naoto Fukasawa

Demetra Wall Lamp LED by Artemide

The Demetra lights were designed by Naoto Fukasawa for Artemide Lighting. Fukasawa follows the 'Outline' concept, focusing on a simple and harmonious design with a streamline designer light. The Demetra design won numerous awards, like the Red Dot Design Award Essen, iF Design Award Deutschland and the Design Plus, light + building Frankfurt am Main in 2004.

The Demetra wall light, with a minimalist and streamline design, provides a wide range of movements and flexibility. The head can rotate along the vertical and horizontal axis, while the arm can be tilted up to 45°. The light intensity is controlled by an integrated dimmer switch, located on the top surface of the head. The wall light is available in 3 colour options: anthracite grey, opaque black and white.

Please note: this product comes with a cable and plug and which needs to be plugged into a nearby power socket. This product cannot be hard-wired.

As part of the collection, the Demetra wall light is also available with a [motion sensor](#). The light detects movement absence and will automatically switch itself off after 12 minutes of inactivity. The extensive [Demetra Collection](#) of table and desk lamps, wall lights, spotlights and floor lamps offers the same flexibility and movement, all compacted into a sleek and various interactive features. The family is complimented with the addition of a series of task lights, [Demetra Professional](#), with an optical device that is more complex and has a more powerful LED source.



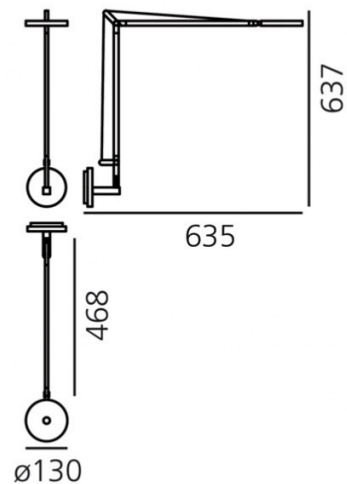
PRODUCT SPECIFICATION

Light Source: 8W, 3000K, 385 lumens

IP Code: 20

Dimming: Integrated microswitch included on product.

Dimensions: 63.5 cm depth
63.7 cm height
46.8 cm depth
Ø 13 cm



For all sales and technical enquiries, please contact:

+44 (0)114 263 4266

info@davidvillagelighting.co.uk

www.davidvillagelighting.co.uk