

ANGLEPOISE®

Anglepoise Original 1227 Desk Lamp

LA7085

SOURCE: <https://www.davidvillagelighting.co.uk/product/Anglepoise-Original-1227-Desk-Lamp/14256>

PRODUCT DESCRIPTION

Designer: George Carwardine

Anglepoise Original 1227 Desk Lamp

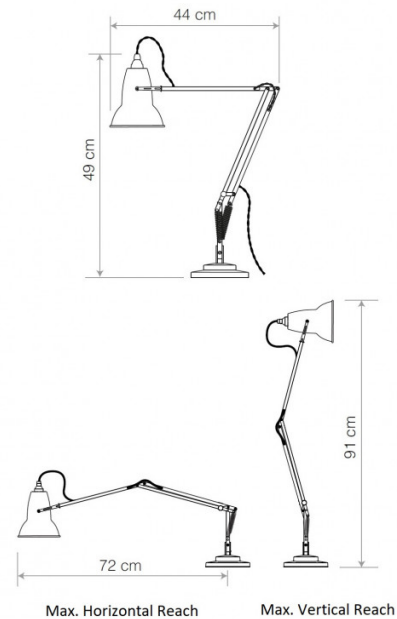
First released in 1935, the Anglepoise Original 1227 desk lamp was designed by British engineer George Carwardine and is the basis for the entire [Original 1227 collection](#). Inventing the 4-spring lamp in 1932, Carwardine renovated his invention by creating the 3-spring mechanism to bring the Anglepoise lamp for home use, creating an instant icon that has lasted in its original design to the current day.

The clever 3-spring allows the lamp to be positioned and angled with a light touch that then keeps its position, making a perfectly balanced and functional lamp. Perfect for many table tops and desks in the home and workplace, this classic, adjustable lamp is a must have and will fit perfectly in any décor with the range of colours available.



PRODUCT SPECIFICATION

- Light Source:** 1 x Max 6W E27 LED (included)
- IP Code:** 20
- Dimming:** In-line on/off switch included on cable.
- Dimensions:** Shade: Ø14cm
Shade Height: 16cm
Max Reach (from base to shade): 91cm
Base: 15cm x 15cm
Cable Lengths: 200cm



For all sales and technical enquiries, please contact:

+44 (0)114 263 4266

info@davidvillagelighting.co.uk

www.davidvillagelighting.co.uk