



Terzani Mizu 15-Light Suspension

LA9475-15
LIGHT

SOURCE: <https://www.davidvillagelighting.co.uk/product/Terzani-Mizu-15-Light-Suspension/14155>



PRODUCT DESCRIPTION

Designer: Terzani Lab

Beautiful Terzani Mizu 15 -Light Suspension: Inspired by the tranquil and mesmerizing light refractions created by water, Mizu is a new, customizable pendant light from Terzani. Like water droplets, no two Mizu are alike, each crystal shape is unique and made meticulously by hand. Using only the clearest crystal (24% lead), Mizu perfectly emulates water's refraction of light, casting amazing patterns around the room, reminiscent of flowing water. Provides ambient and decorative illumination. Choose between a round or rectangular ceiling rose.

Also available in:
White with clear/silver dust glass
White with clear/gold glass

Materials: 24% Lead Crystal / white detailing

Customised specials are also available on this light.

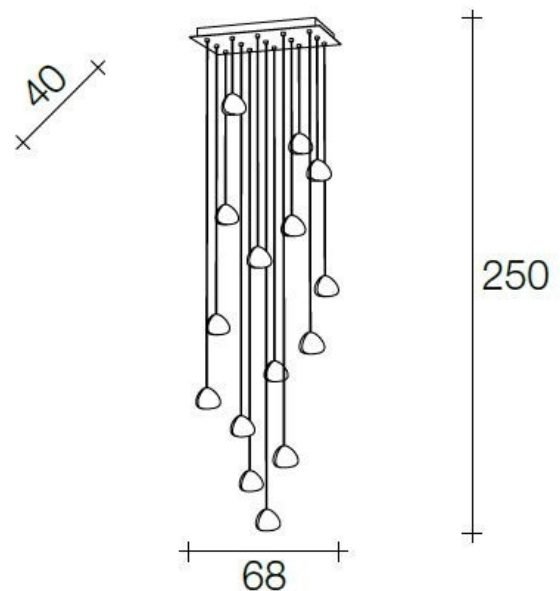
PRODUCT SPECIFICATION

Light Source: 15 x max 10W G4 (excluded)

Dimming: Dimmable via IGBT dimming.

Dimensions: Rectangular Cluster:
68cm width
250cm drop

Round Cluster:
Ø66cm
250cm drop





For all sales and technical enquiries, please contact:

+44 (0)114 263 4266

info@davidvillagelighting.co.uk

www.davidvillagelighting.co.uk