



&Tradition Copenhagen SC8 Pendant

LA6938/L

SOURCE: <https://www.davidvillagelighting.co.uk/product/Tradition-Copenhagen-SC8-Pendant/13992>



PRODUCT DESCRIPTION

Designer: Space Copenhagen

Copenhagen SC8 Pendant Light by &Tradition

A part of the [&Tradition Copenhagen collection](#), the Copenhagen SC8 pendant is the largest pendant available from the range. Wanting to create contrasts in their designs, Space Copenhagen have made the SC8 pendant to combine modernity and classicism. With an industrial looking metal fitting and a vintage lampshade with curved lines, the design duo have created a pendant that is functional, elegant and contemporary.

The light on this pendant diffuses nicely and directs downward making it perfect over tables in dining, kitchen or lounge areas. The size means this light can hang alone, but it also works well as part of a series or cluster of lights. To create real contrast in your lighting scheme, combine the SC8 pendant light with other pendants in the collection to have a multitude of sizes.

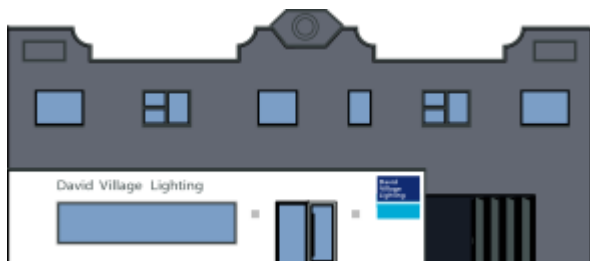
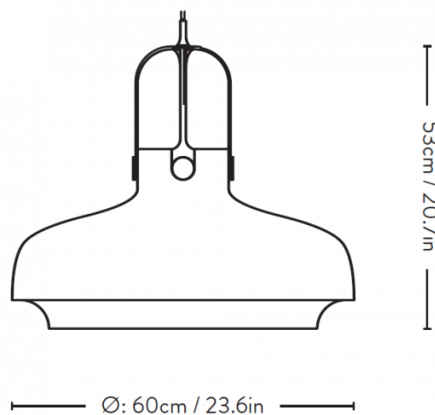
PRODUCT SPECIFICATION

Light Source: 1 x Max 11.2W LED E27 (excluded)

IP Code: 20

Dimming: Dimmable via mains phase dimming.

Dimensions: Ø60cm
Height: 53cm
Cable Length: 600cm



For all sales and technical enquiries, please contact:

+44 (0)114 263 4266

info@davidvillagelighting.co.uk

www.davidvillagelighting.co.uk