

FLOS

# Flos Kelvin LED Table Lamp Green Mode

LA8297/GM

SOURCE: <https://www.davidvillagelighting.co.uk/product/Flos-Kelvin-LED-Table-Lamp-Green-Mode/13327>

## PRODUCT DESCRIPTION

**Designer:** Antonio Citterio & Toan Nguyen

### Flos Kelvin LED Table Lamp Green Mode

The Kelvin table lamp by designers Antonio Citterio & Toan Nguyen delivers direct light, with a double pantograph arm and swivelling head. The body of the Kelvin is made from cast aluminium alloy, with the outside of the head in die-cast aluminium with an injection-moulded metalacrylate diffuser.

A truly contemporary design, the Kelvin table light with green mode is the perfect accompaniment to a work area or as a reading light. The dimmer switch on the head of the Kelvin has two modes: Personal Mode which allows the user to adjust light intensity as required and the new Green Mode which automatically adjusts the light intensity depending on the surrounding ambience. When set in Green Mode the Kelvin LED switches off automatically, and only lights as the room darkens. The table lamp is available in four finishes, black, white or anthracite, and makes a perfect addition to any contemporary interior.

**The Kelvin table lamp is supplied with a square base as seen in the images but is also available with a clamp or desk support. Please [contact us](#) for prices and details.**



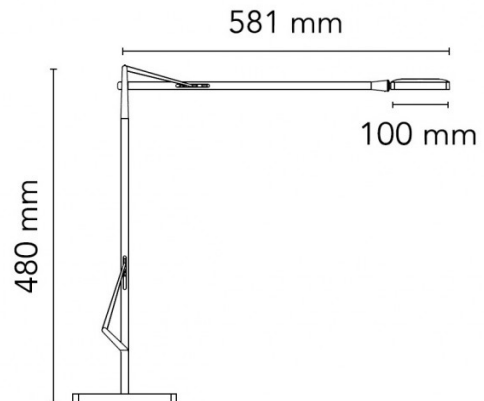
## PRODUCT SPECIFICATION

**Light Source:** 8W, 3000K, 568 Lumens

**IP Code:** 20

**Dimming:** Integrated dimmer on the product.

**Dimensions:** Height: 48cm  
Length: 58.1cm  
Lamp Head: 10cm  
Cable Length: 180cm





**For all sales and technical enquiries, please contact:**

+44 (0)114 263 4266

[info@davidvillagelighting.co.uk](mailto:info@davidvillagelighting.co.uk)

[www.davidvillagelighting.co.uk](http://www.davidvillagelighting.co.uk)