



Modoluce Cilindro Suspension

LA4956

SOURCE: <https://www.davidvillagelighting.co.uk/product/Modoluce-Cilindro-Suspension/13321>



PRODUCT DESCRIPTION

Modoluce Cilindro Suspension.

The diffuser is cotton fabric, in white, ivory, black or brown. Lower diffuser in opal flexi-glass. With steel suspension cables. Other colours are available.

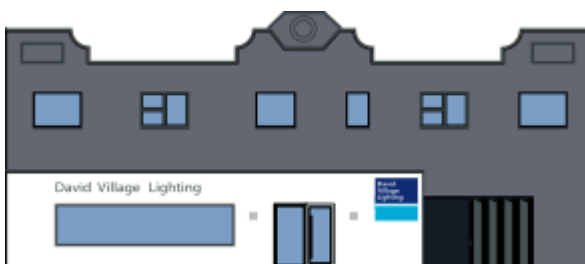
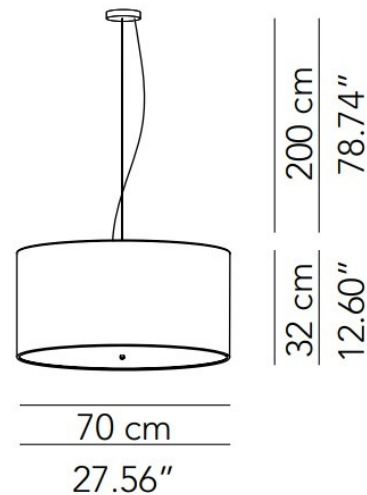
The Cindi Suspension exhibits an elegant and contemporary design.

PRODUCT SPECIFICATION

Light Source: 1 x 70W E27 (excluded)

IP Code: 20

Dimensions: 70 cm diameter
32 cm height
200 cm cable length



For all sales and technical enquiries, please contact:

+44 (0)114 263 4266

info@davidvillagelighting.co.uk

www.davidvillagelighting.co.uk