



Modoluce Loto Suspension

LA4963

SOURCE: <https://www.davidvillagelighting.co.uk/product/Modoluce-Loto-Suspension/13263>



PRODUCT DESCRIPTION

Modoluce Loto Suspension

Hand finished pleated fabric shade, available in 6 colours: fuschia, black, purple, orange, beige and white. Has lower opal plexiglass diffuser.

Also available with dali dimmable gear (available upon request)

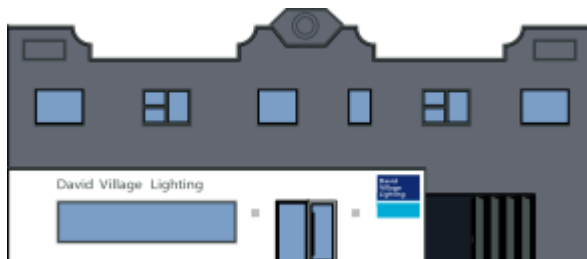
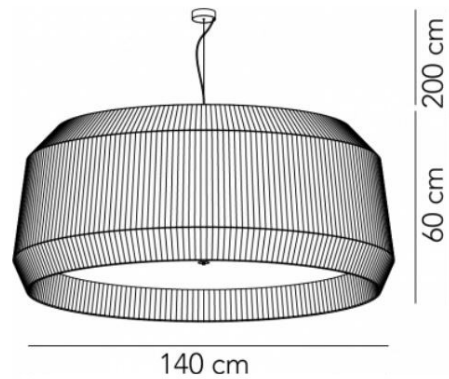
Light source excluded.

PRODUCT SPECIFICATION

Light Source: 6 x 105W E27 HES (excluded)

IP Code: 20

Dimensions: Shade Diameter: 140cm
Shade Height: 60cm
Cable Length: 1.6M



For all sales and technical enquiries, please contact:

+44 (0)114 263 4266

info@davidvillagelighting.co.uk

www.davidvillagelighting.co.uk