



# Santa & Cole Moragas Table Lamp

LA6345

SOURCE: <https://www.davidvillagelighting.co.uk/product/Santa-Cole-Moragas-Table-Lamp/13202>

## PRODUCT DESCRIPTION

**Designer:** Antoni de Moragas Gallissà

## Santa & Cole Moragas Table Lamp

The Santa & Cole Moragas Table Lamp was designed in 1957 by Antoni de Moragas Gallissà. Moragas, who was the first president of the Association of Industrial Design (FAD), designed the lamp to use in his office and would place letters or notes between the ribbon folds of the lampshade. It is a beautiful combination of high-quality materials and true Spanish design.

The body, made of sapeli wood or natural oak has a cylindrical shape that supports the natural cotton ribbon lampshade. The shade holds three light bulbs inside radially to provide an even light around the lamp, thanks to the cotton ribbon shade Moragas produces a diffused warm illumination, perfect for creating a cosy and relaxing ambience. The Moragas table lamp has won the Nuevo Estilo Award (1992) in Madrid and the lamp creates an elegant and warm ambience suitable for use in both professional and residential settings.



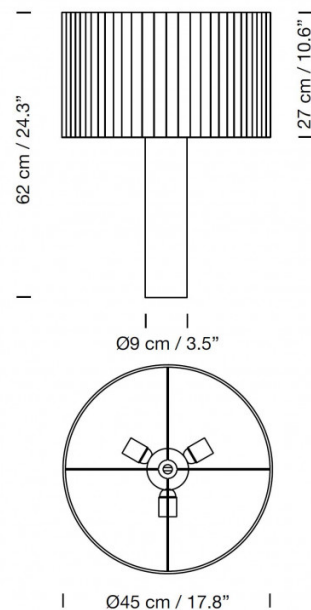
## PRODUCT SPECIFICATION

**Light Source:** 3 x Max 12W E27 LED (included)

**IP Code:** 20

**Dimming:** In-line dimmer included on cable.

**Dimensions:** Shade: Ø45cm  
Shade Height: 27cm  
Height: 62cm  
Base: Ø9cm  
Cable Length: 225cm





**For all sales and technical enquiries, please contact:**

+44 (0)114 263 4266

[info@davidvillagelighting.co.uk](mailto:info@davidvillagelighting.co.uk)

[www.davidvillagelighting.co.uk](http://www.davidvillagelighting.co.uk)