

Artemide

# Artemide Onfale Table Lamp

LA6323

SOURCE: <https://www.davidvillagelighting.co.uk/product/Artemide-Onfale-Table-Lamp/13191>



## PRODUCT DESCRIPTION

**Designer:** Luciano Vistosi

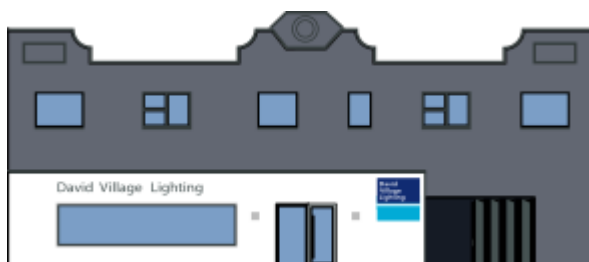
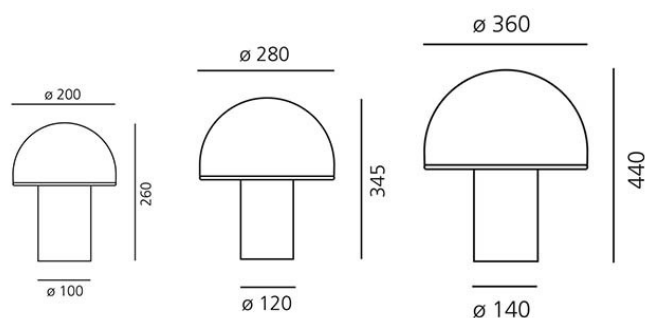
### Onfale by Artemide

Designed by Luciano Vistosi in the late 1970s, the Onfale is a true example of glass craftsmanship. A table lamp in three sizes, made of opaline blown glass. With a dome shaped diffuser and cylindrical body the Onfale lamps resemble mushrooms, only made of Murano glass. Vistosi became known for his experimental designs that challenged any traditional boundaries.

The Onfale Grande, the largest, stands 44 cm high while the Onfale Medio has a height of 34.5 cm. The smallest in the family, Onfale Piccolo is 26 cm high with a 10 cm base diameter. The table lamps are not dimmable, and have an in line on/off switch located on the cable. While the Onfale Piccolo takes one lamp, the other two Onfale lamps accommodate two. The lamps emit a diffused and warm light creating a beautiful atmosphere.

## PRODUCT SPECIFICATION

- Light Source:** **Large** - 1 x 13W LED E27 + 1 x 5W LED E14 (excluded)  
**Medium** - 1 x 6W LED E14 + 1 x 5W LED E14 (excluded)  
**Small** - 1 x 6W LED E14 (excluded)
- IP Code:** 20
- Dimming:** In line on/off switch included on cable.
- Dimensions:** **Large** - Ø36cm, 44cm H, Ø14cm base  
**Medium** - Ø28cm, 34.5cm H, Ø12cm base  
**Small** - Ø20cm, 26cm H, Ø10cm base



**For all sales and technical enquiries, please contact:**

+44 (0)114 263 4266

[info@davidvillagelighting.co.uk](mailto:info@davidvillagelighting.co.uk)

[www.davidvillagelighting.co.uk](http://www.davidvillagelighting.co.uk)