

Artemide

Artemide Tolomeo Due Bracci Suspension

LA6221

SOURCE: <https://www.davidvillagelighting.co.uk/product/Artemide-Tolomeo-Due-Bracci-Suspension/13039>



PRODUCT DESCRIPTION

Designer: Michele De Lucchi & Giancarlo Fassina

Tolomeo Due Bracci Suspension Light by Artemide

A part of the [Artemide Tolomeo collection](#), the Tolomeo Due Bracci suspension is a sleek, modern light that is useful and eye-catching. The light has two arms with an adjustable shade on the end of each to direct the light where you need. You can put this suspension in many positions to create a bright illumination and also to use as a handy task or reading light.

Suitable for many settings such as lounges, kitchens and dining rooms the Tolomeo Due Bracci suspension light will not disappoint with an appealing and contemporary aesthetic. The subtle finish means it will seamlessly slip into any interior design scheme and the suspension light can be used in both domestic and commercial settings.

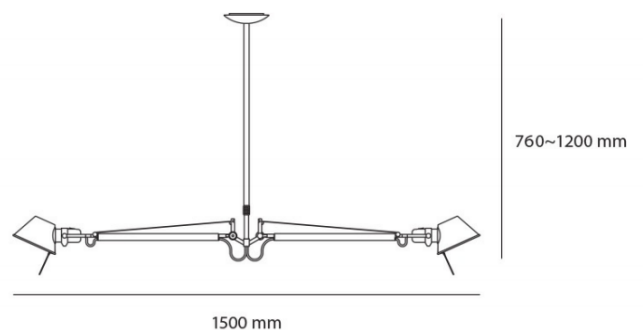
PRODUCT SPECIFICATION

Light Source: 2 x Max 8W E27 (excluded)

IP Code: 20

Dimming: Dimmable via mains phase dimming.

Dimensions: Length: 150cm
Drop Height: 76-120cm



For all sales and technical enquiries, please contact:

+44 (0)114 263 4266

info@davidvillagelighting.co.uk

www.davidvillagelighting.co.uk