

FOSCARINI

Foscarini Tutu Wall Light

LA8359

SOURCE: <https://www.davidvillagelighting.co.uk/product/Foscarini-Tutu-Wall-Light/12981>

PRODUCT DESCRIPTION

Designer: Valerio Bottin

Foscarini Tutu Wall Light

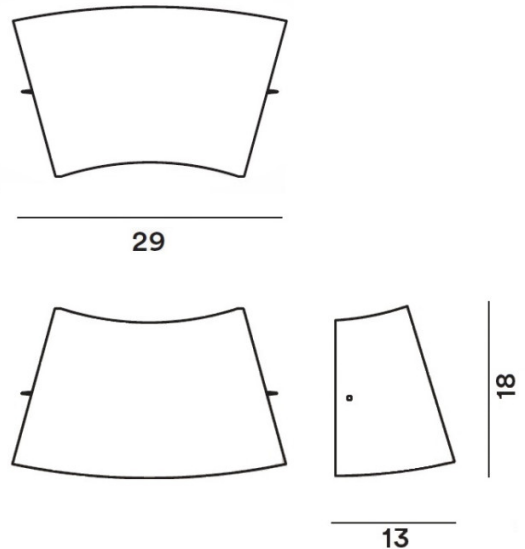
The Tutu wall light was designed by Valerio Bottin in 2001 and is a beautiful piece of craftsmanship from the Foscarini brand. Made using traditional, long-standing techniques, this wall light is made from hand-blown glass shaped into a curved band which is held by subtle pins at the side. The glass diffuser conceals the light source, creating a warm and inviting glow perfect for many settings.

The Tutu wall lamp is available in a white finish being an elegant lighting solution for your home or commercial space. The wall lamp emits a downward and upward light, reflecting off the wall to provide an effective illumination. You can also choose which way you would like to position the light, giving versatility and freedom with design. Use in hallways, lounges, corridors, reception rooms and many more to add a touch of refinement and classic design to your interior.



PRODUCT SPECIFICATION

- Light Source:** 2 x Max 46W E14 (excluded)
- IP Code:** 20
- Dimming:** Non-Dimmable.
- Dimensions:** Width: 29cm
Height: 18cm
Depth: 13cm



For all sales and technical enquiries, please contact:

+44 (0)114 263 4266

info@davidvillagelighting.co.uk

www.davidvillagelighting.co.uk