

Artemide

Artemide Miconos Ceiling Light

LA6183

SOURCE: <https://www.davidvillagelighting.co.uk/product/Artemide-Miconos-Ceiling-Light/12953>



PRODUCT DESCRIPTION

Designer: Ernesto Gismondi

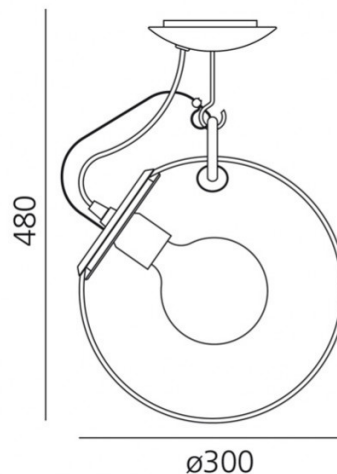
Miconos Ceiling Light by Artemide

Miconos was designed by the very founder of Artemide, Ernesto Gismondi. The design of the Miconos lights is meant to complement any space, with both modern and traditional decors. An accent piece of contemporary art, both when switched on as well as when not in use, the lights are a conversation starter. A true statement of Artemide's technological know how, the raw beauty of the Miconos stems from the choice of raw materials; blown glass and polished chromed metal.

The emphasis is on the light source, with a blown glass diffuser, the exposed cable and an angled bulb. Miconos is available in two colour options, polished chrome or satinised brass. The collection also includes a [suspension](#) and a [wall](#) light.

PRODUCT SPECIFICATION

- Light Source:** 1 x max 15W E27 (excluded)
- IP Code:** 20
- Dimming:** Dimmable via mains phase dimming.
- Dimensions:** 30 cm diffuser
48 cm height



For all sales and technical enquiries, please contact:

+44 (0)114 263 4266

info@davidvillagelighting.co.uk

www.davidvillagelighting.co.uk