

**FOSCARINI**

**Foscarini Magneto LED Table Lamp**

LA6086

SOURCE: <https://www.davidvillagelighting.co.uk/product/Foscarini-Magneto-LED-Table-Lamp/12732>

**PRODUCT DESCRIPTION**

**Designer:** Giulio Iacchetti

**Foscarini Magneto Table Lamp**

As the name suggests the Magneto LED Table Lamp, designed by Giulio Iacchetti, makes use of a strong magnet to produce a stunning, innovative and modern lamp. The magnet sits on the side of the conical lampshade and makes the table lamp adjustable as you can slide the shade up and down the rod and rotate it to point the light where needed. The classic silhouette is reminiscent of a microphone or torch, being the perfect blend of modernity and tradition.

The Magento table light provides a direct, steady light perfect for reading or tasks, suitable for desks, tables, side tables and shelves. Use in bedrooms, offices, lounges and more to create a dynamic look and to provide a much-needed light. Available in 2 subtle colours of white or black, this table light will seamlessly fit into your interior and compliment almost any decor style.

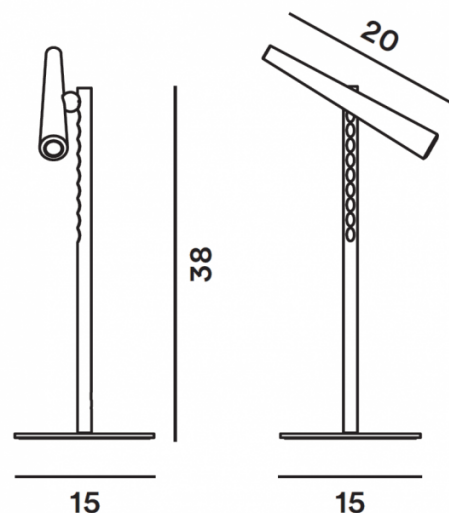


**PRODUCT SPECIFICATION**

**Light Source:** 5W, 2700K, 475 Lumens

**IP Code:** 20

**Dimensions:** Height: 38cm  
Shade Length: 20cm  
Base: Ø15cm



**For all sales and technical enquiries, please contact:**

+44 (0)114 263 4266

info@davidvillagelighting.co.uk

www.davidvillagelighting.co.uk