



Santa & Cole Ramon Chair

LA9958

SOURCE: <https://www.davidvillagelighting.co.uk/product/Santa-Cole-Ramon-Chair/12397>

PRODUCT DESCRIPTION

Designer: Ramon Bigas

Santa & Cole Ramón Chair

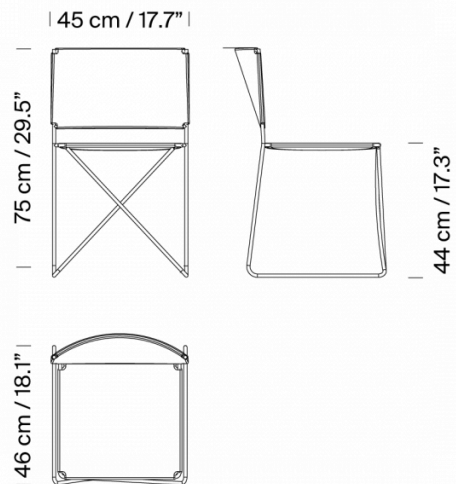
The Ramón was designed by the former president of the Fostering Arts and Design Association (FAD), Ramón Bigas. The chair was also named after him, as Bigas represents an entire generation of Barcelona-based designers.

The chair has a metal frame in white and the back and seat are made of synthetic rattan, in natural or white, woven by hand. The Ramon chair is easy to transfer, as well as stackable, which means it is easy to store and tidy away. The Ramón chair can be used in both indoor and outdoor spaces and its elegant shape and design allows for extensive hours of comfortable seating. Choose your Ramón chair, in white or natural rattan, to use in your home or business.



PRODUCT SPECIFICATION

IP Code: 20
Dimensions: Height: 75cm
 Width: 45cm
 Seat Height: 44cm
 Seat Depth: 46cm



For all sales and technical enquiries, please contact:

+44 (0)114 263 4266

info@davidvillagelighting.co.uk

www.davidvillagelighting.co.uk