

**Artemide**

**Artemide Tolomeo Mega  
Suspension**

LA8907/420S

SOURCE: <https://www.davidvillagelighting.co.uk/product/Artemide-Tolomeo-Mega-Suspension/12341>



**PRODUCT DESCRIPTION**

**Designer:** Michele De Lucchi & Giancarlo Fassina

**Tolomeo Mega Suspension Light  
by Artemide**

The Tolomeo Mega suspension light is part of the [Artemide Tolomeo collection](#), a wonderful and iconic range by designers Michele de Lucchi & Giancarlo Fassina. With simplistic and straight lines, this suspension light has a classic silhouette that will look chic and stylish in any room it is in. The light emits a downward directed glow that is diffused on a big scale, making it perfect for hanging in the centre of the room to illuminate the surroundings.

The Tolomeo Mega suspension is available in three shade options, black, silk or natural parchment. The black shade comes with a matching black structure and ceiling rose, whereas the silk and parchment come with an aluminium structure and ceiling rose. The choice of finish means you can match it to your interior design and the choice of two sizes makes this light versatile and functional. Useful for a wide variety of settings, this suspension looks particularly superb above your dining table or in your living room, catching the eye when switched on.

**PRODUCT SPECIFICATION**

**Light Source:** 1 x Max 21W E27 LED (excluded)

**IP Code:** 20

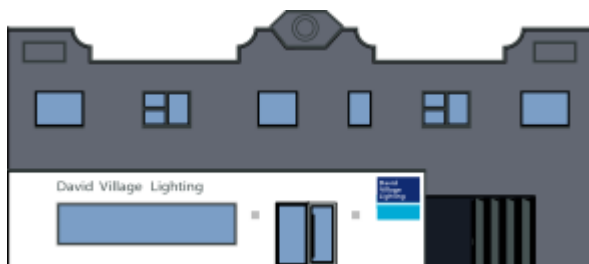
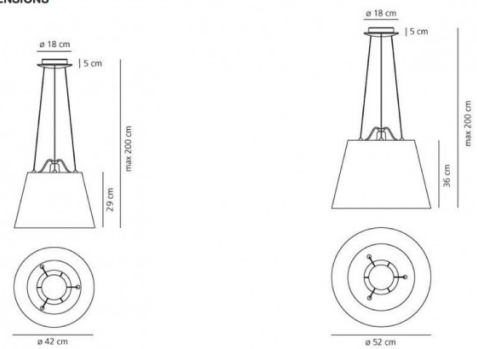
**Dimensions:** 420

Shade: Ø42cm  
Height: 29cm  
Drop Height: 200cm

520

Shade: Ø52cm  
Height: 36cm  
Drop Height: 200cm

**DIMENSIONS**



**For all sales and technical enquiries, please contact:**

+44 (0)114 263 4266

[info@davidvillagelighting.co.uk](mailto:info@davidvillagelighting.co.uk)

[www.davidvillagelighting.co.uk](http://www.davidvillagelighting.co.uk)